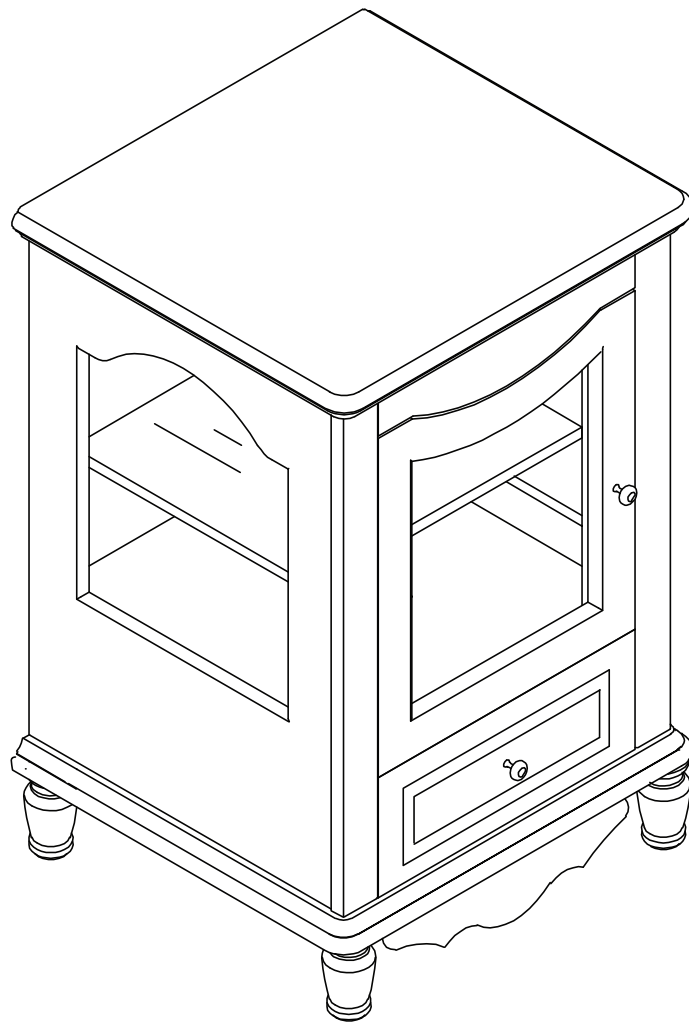
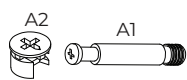
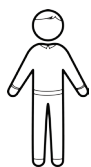
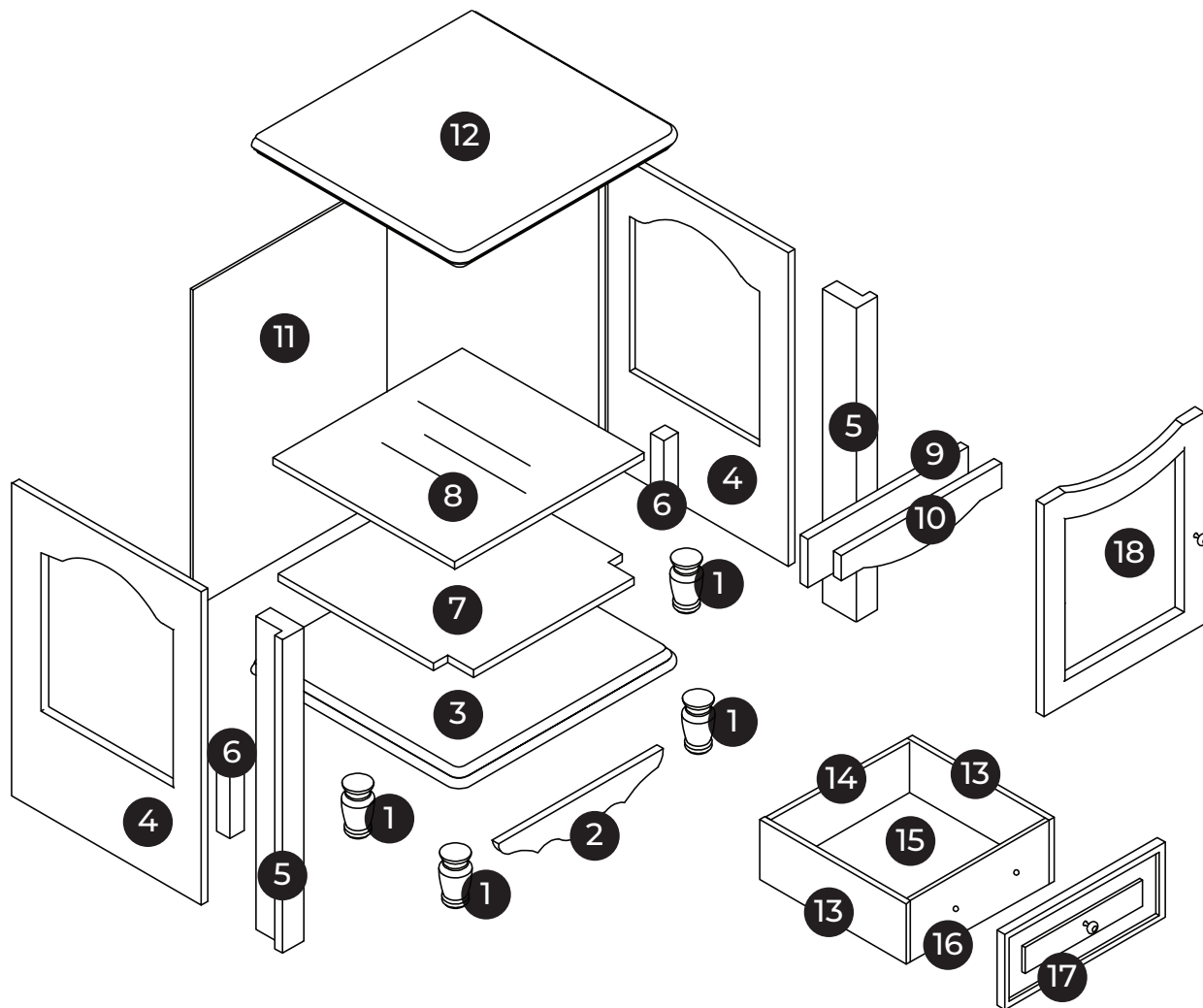


860

520 x 480 x 800 mm



BEMONDI



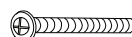
A x14
 Ø 15 mm



B x12
 Ø 8 x 30 mm



C x2



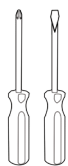
D x1
 Ø 4 x 20 mm



E x8
 Ø 4 x 10 mm



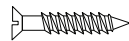
F x1
 Ø 4 x 22mm



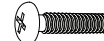
G x4
 Ø 3,5 x 12 mm



H x4
 Ø 3,5 x 15 mm



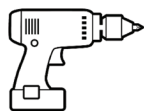
I x8
 Ø 3,5 x 35 mm



J x2
 Ø 6 x 20 mm



K x10
 Ø 6 x 40 mm



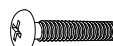
L x4
 Ø 8 x 50 mm



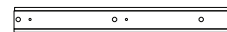
M x2



N x4
 Ø 5 x 18 mm

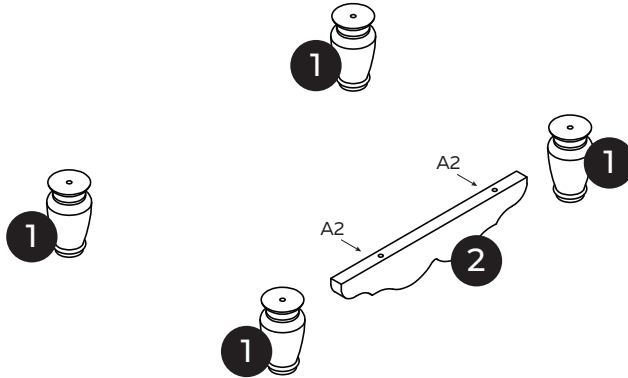
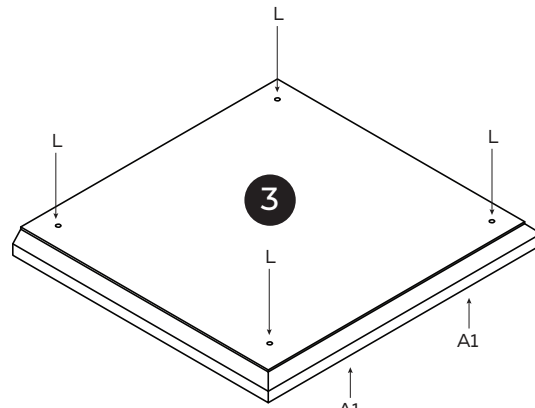
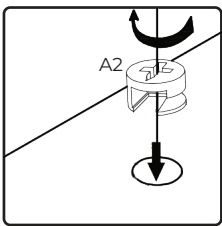
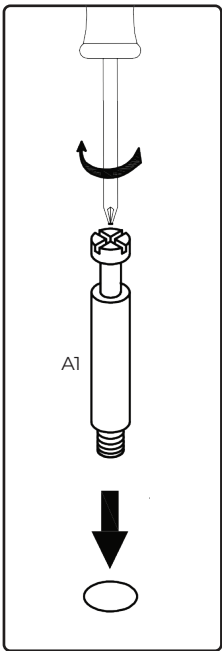



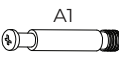
P x2
 Ø 6 x 25 mm

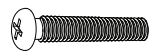


S x2
 300 x 35 mm

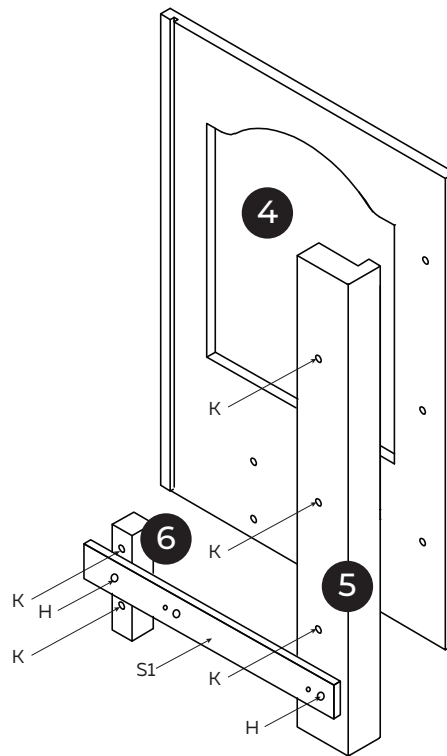
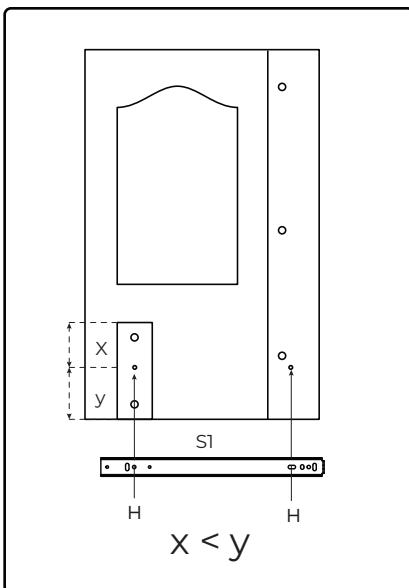
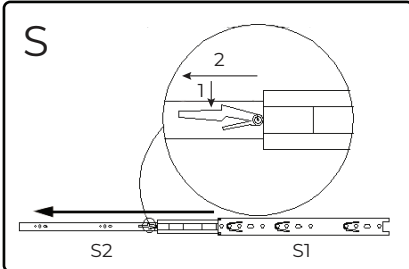




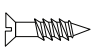
A   x2

L  x4

1



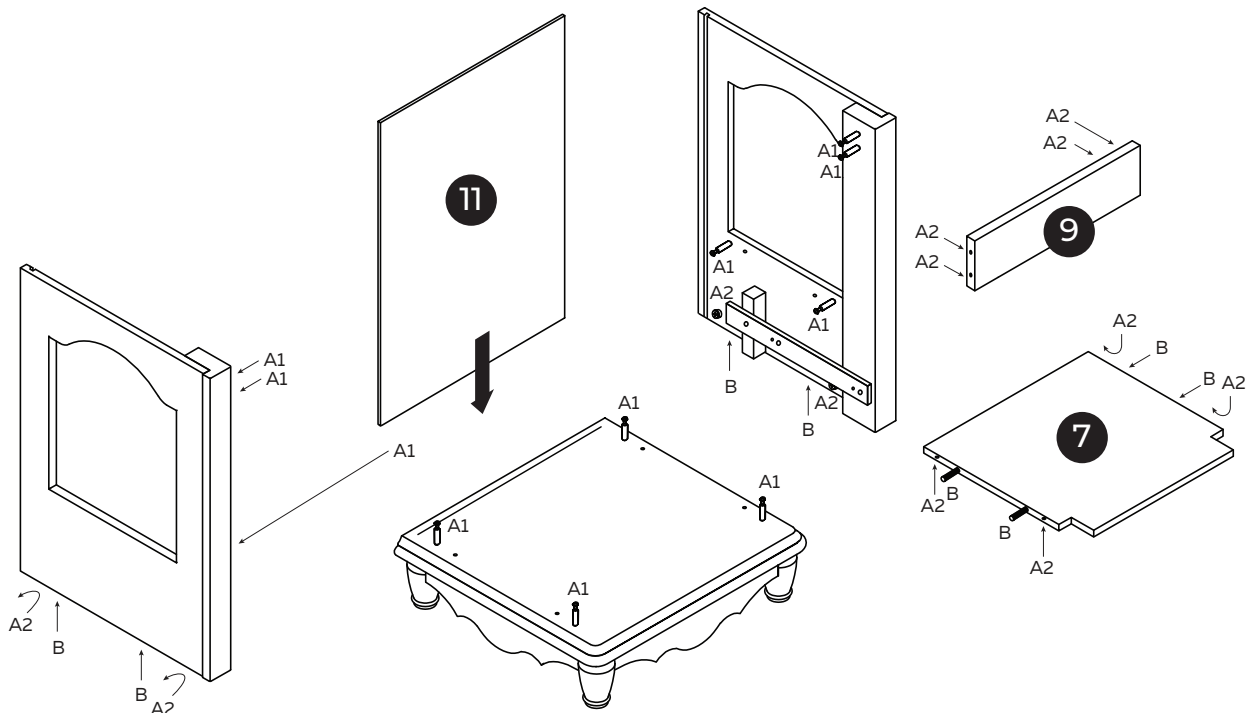
x2


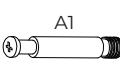
H  x4

K  x10

S1  x2

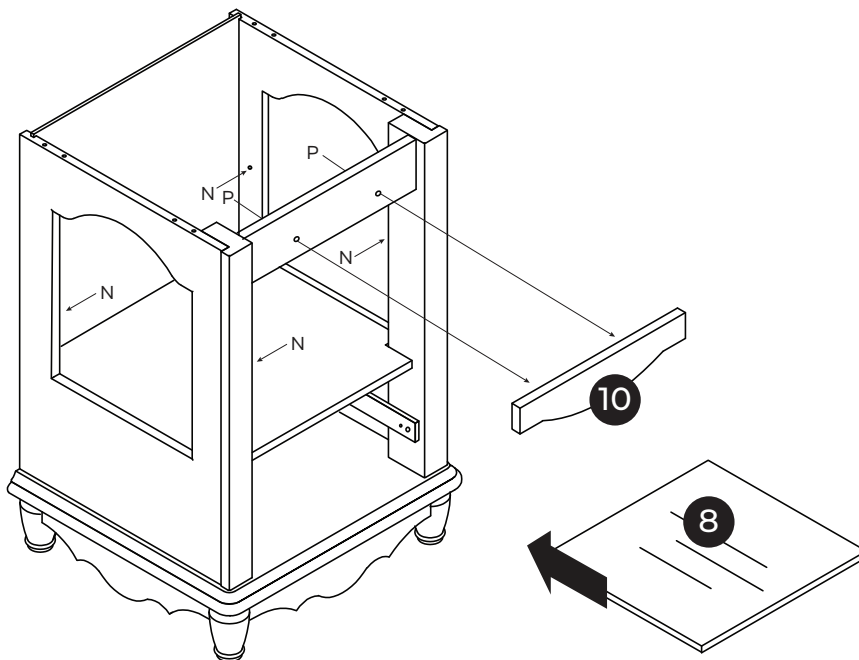
2



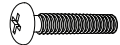
A   x8

B  x8

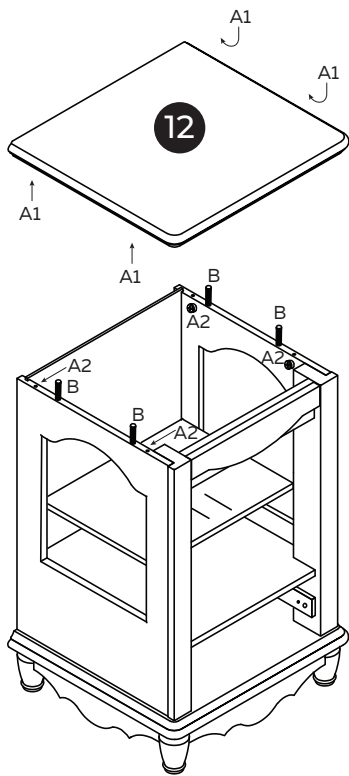
3


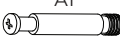


N  x4

P  x2

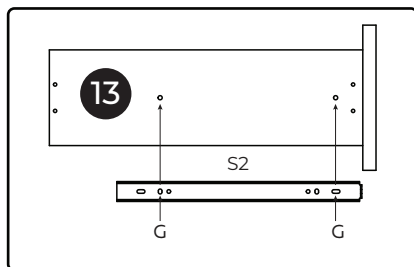
4



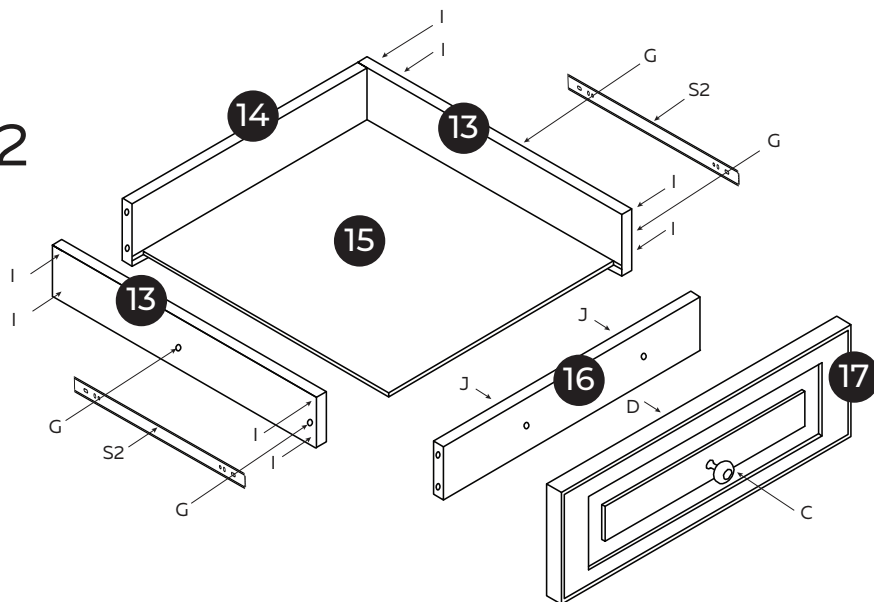
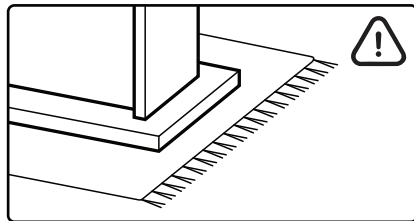
A   x4

B  x4

5




x2




C  x1

D  x1

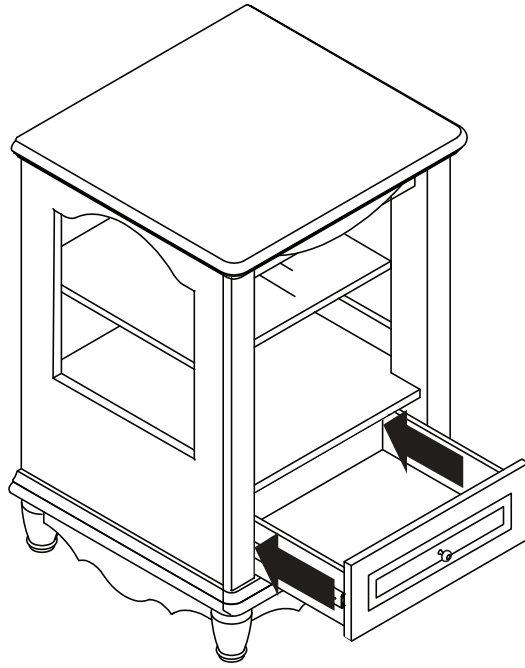
G  x4

I  x8

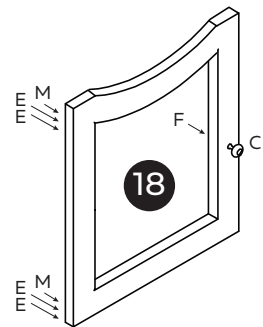
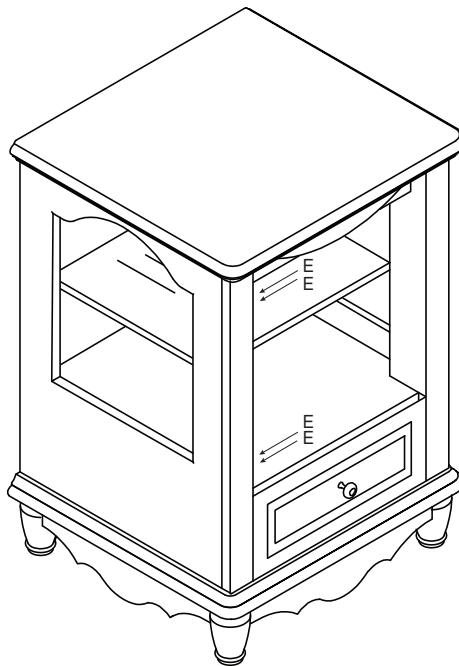
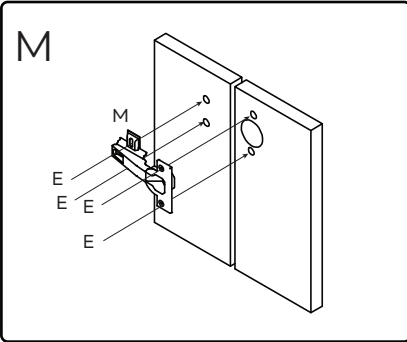
J  x2

S2  x2


6




7



C  x1

E  x8

F  x1

M  x2

8

