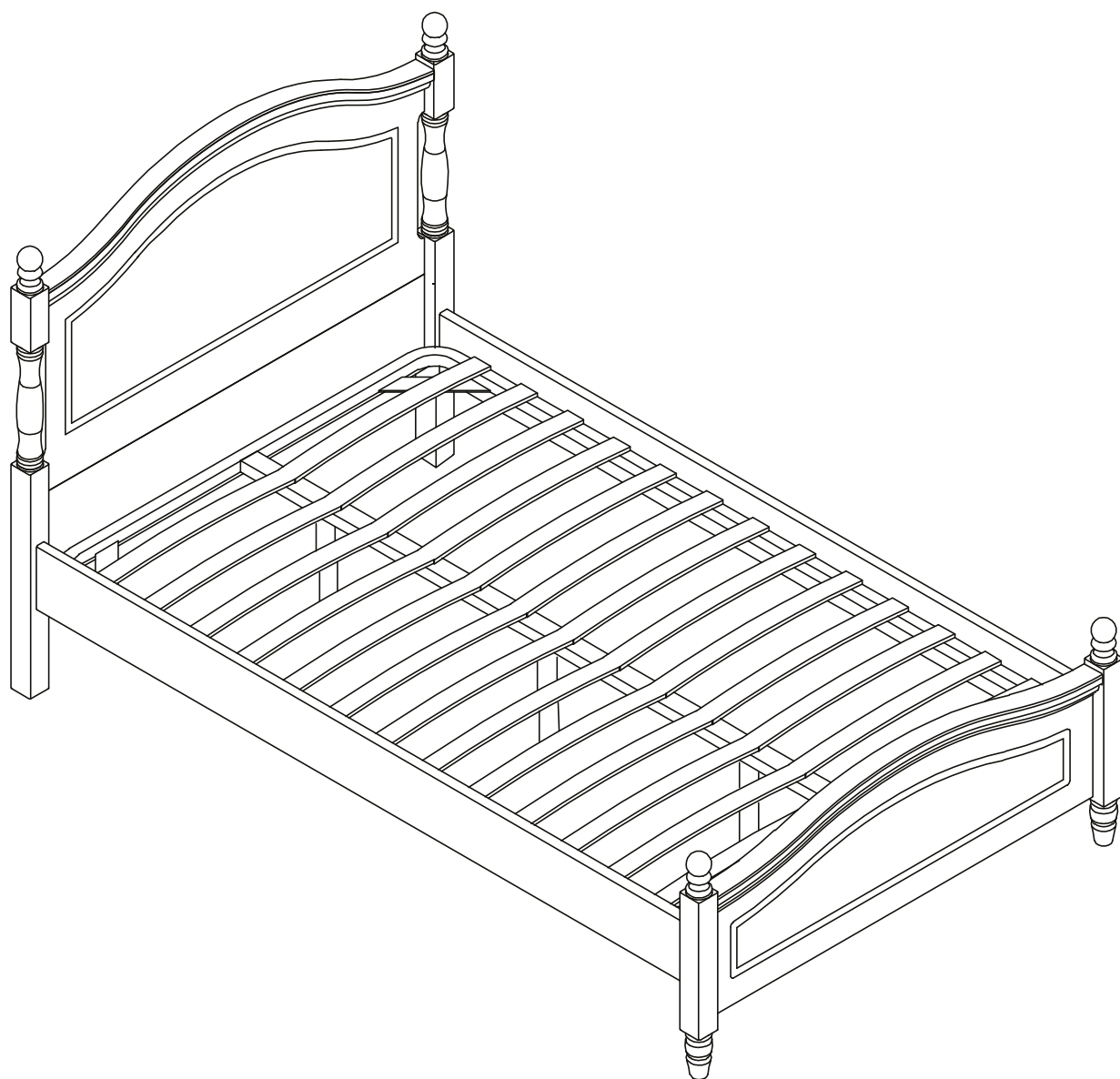
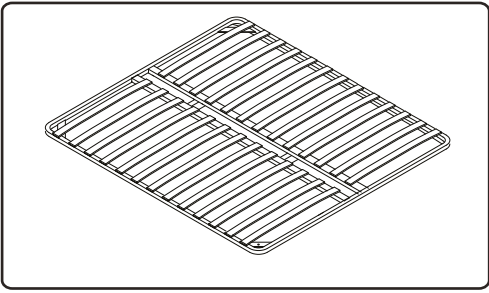


# 810

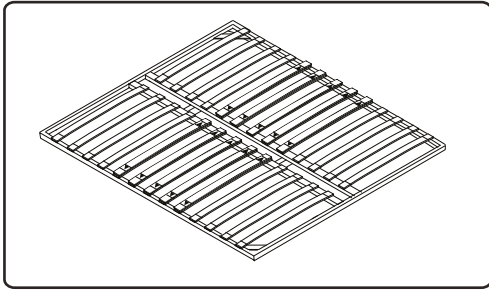
120 x 200 2100 x 1300 x 1180 mm



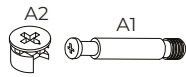
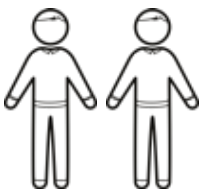
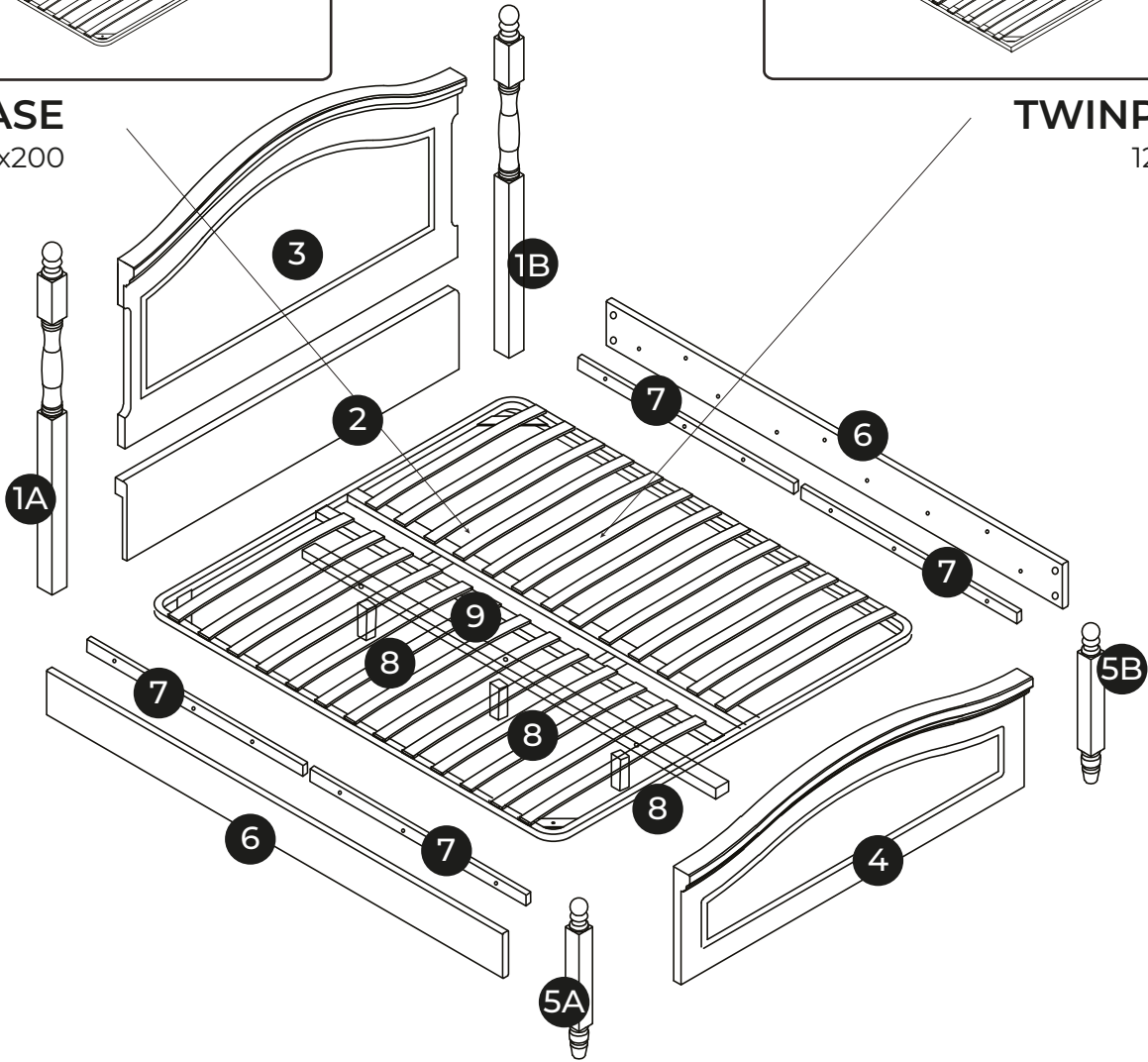
**BEMONDI**



**BED BASE**  
120x200



**TWINPACK**  
120x200



**A** x4  
Ø 15 mm



**B** x18  
Ø 8 x 30 mm



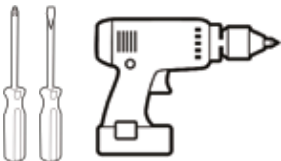
**D** x16  
Ø 8 x 70 mm



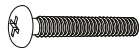
**E** x16



**F** x16



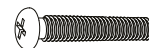
**G** x12  
Ø 38



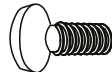
**H** x12  
Ø 6 x 50 mm



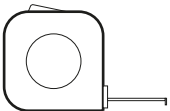
**I** x14  
Ø 4 x 16 mm



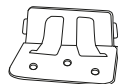
**J** x3  
Ø 8 x 45 mm



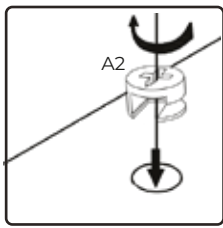
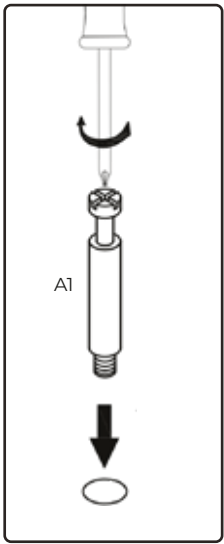
**K** x3  
Ø 20 mm



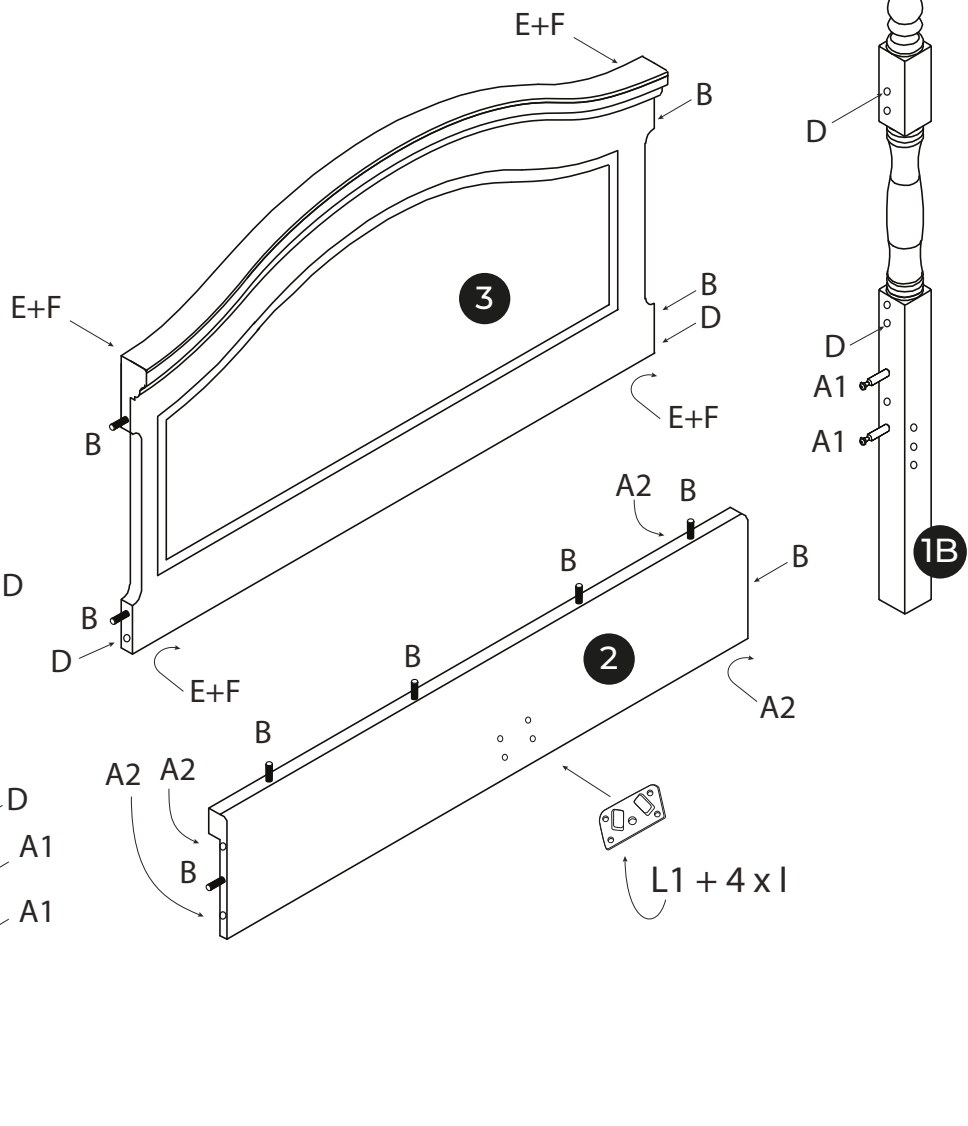
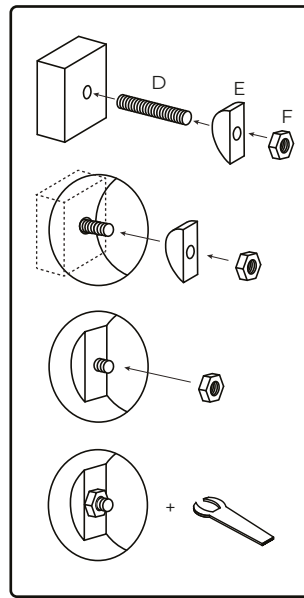
**L1** x2


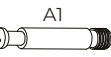


**L2** x2




1 x 4



A   x4

B  x10

D  x4

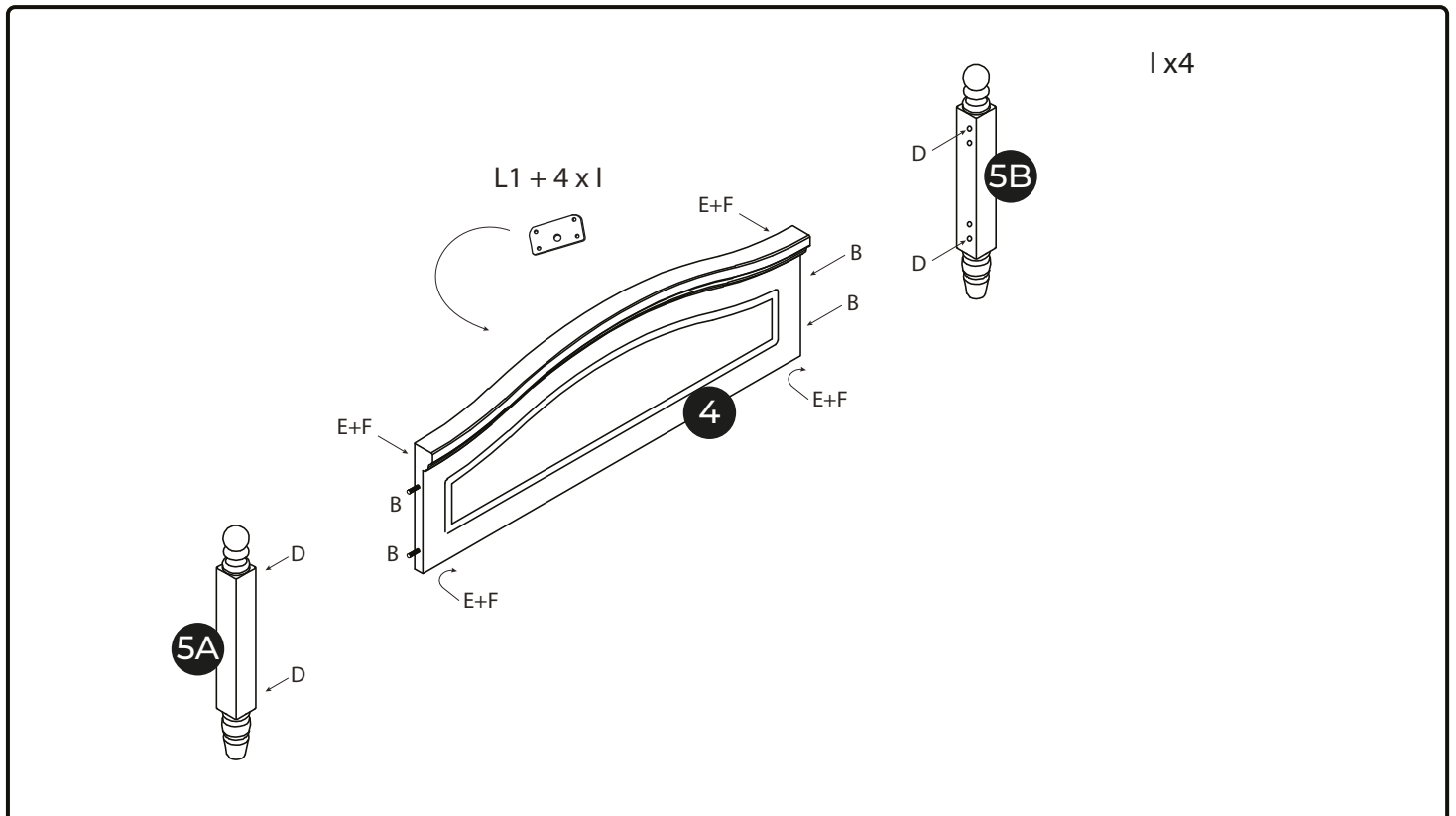
E  x4

F  x4








I  x4

L1  x1

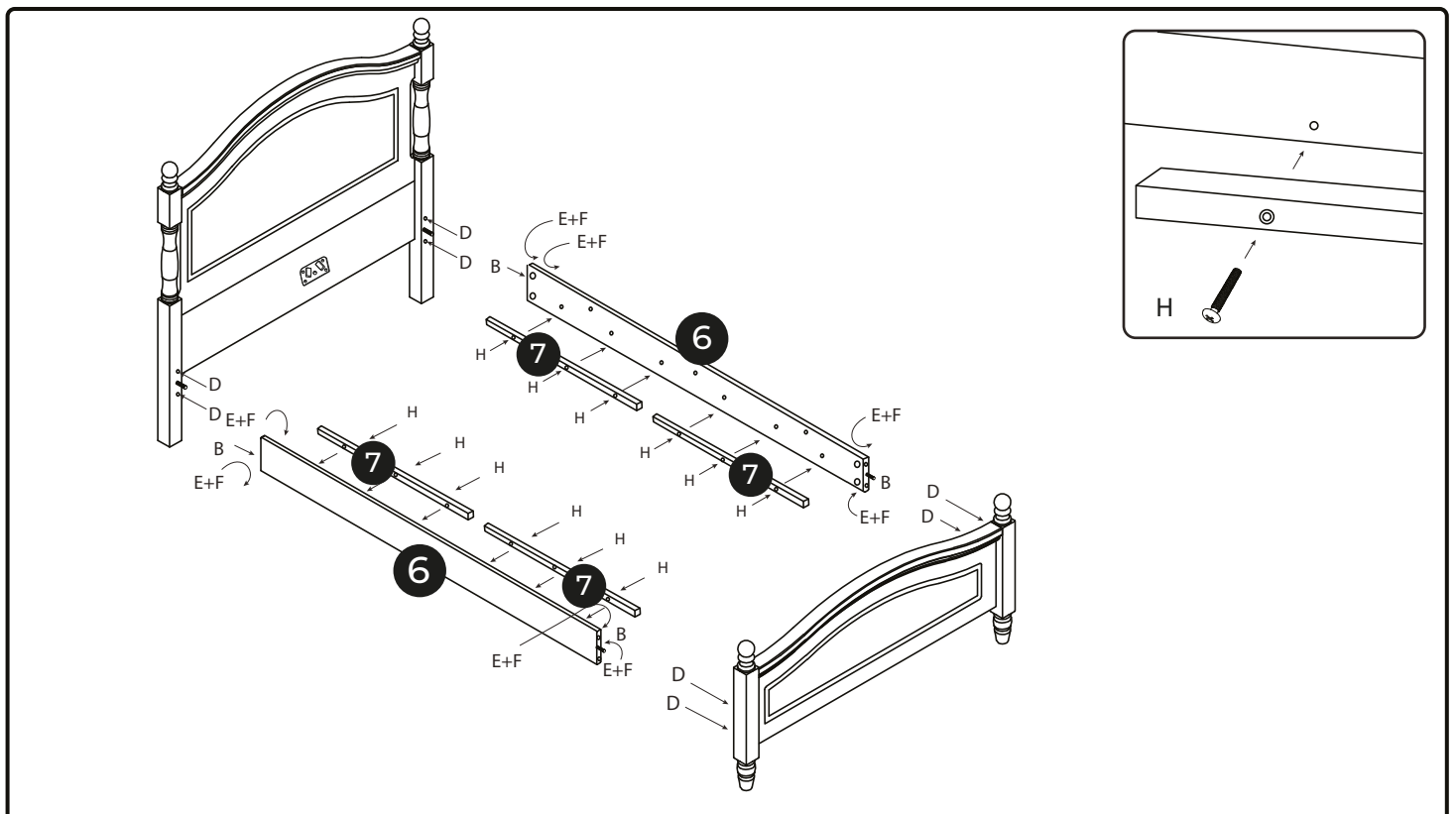
1









I x4

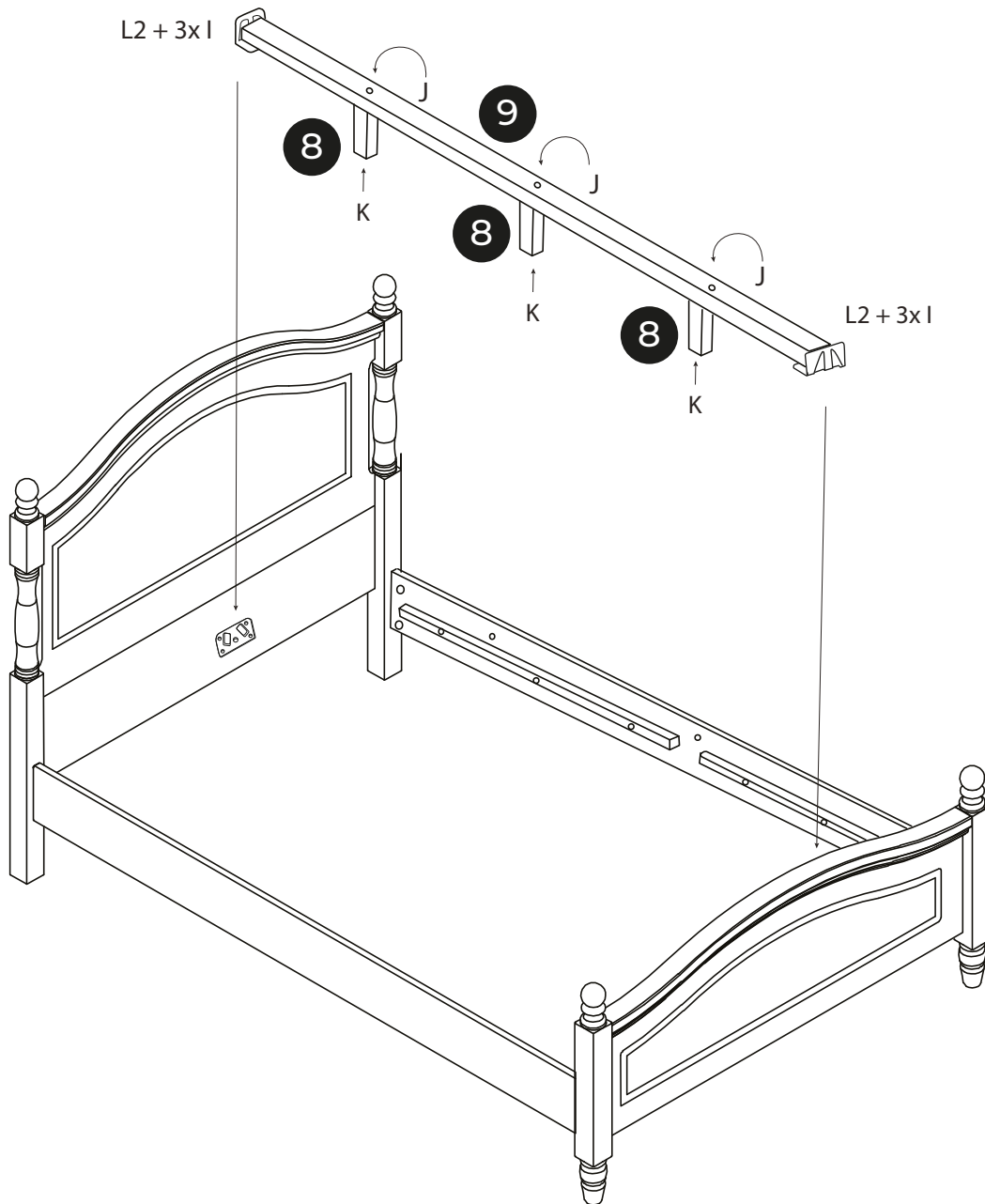
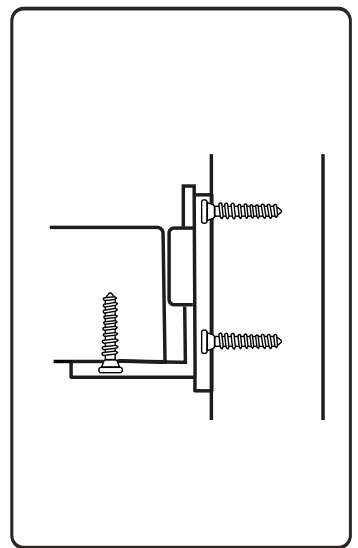
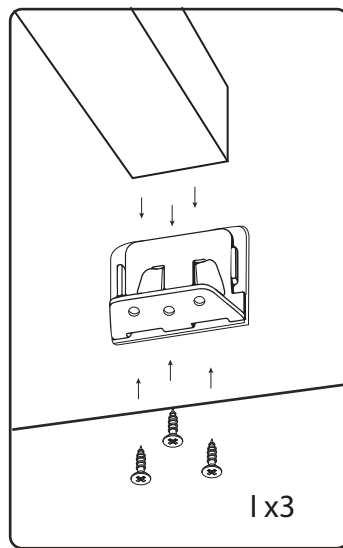
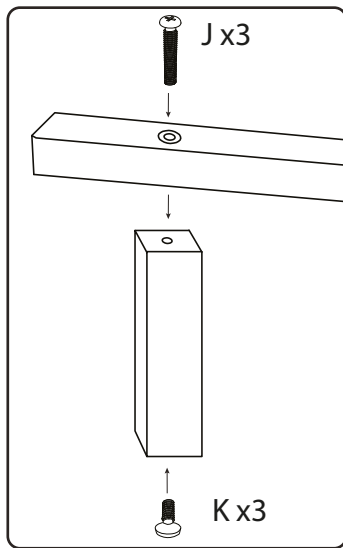
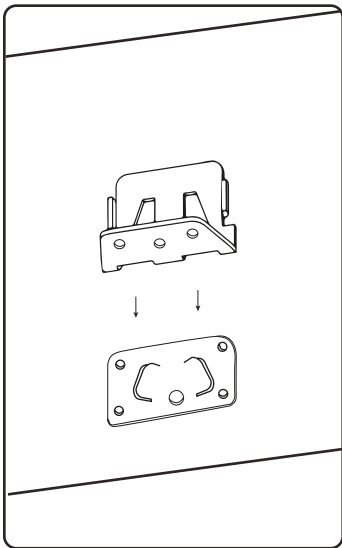
B  x4	D  x4	E  x4
F  x4	G  x4	I  x4
L1  x1		

**2**



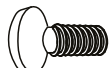
B  x4	D  x8	E  x8
F  x8	G  x8	H  x12

**3**

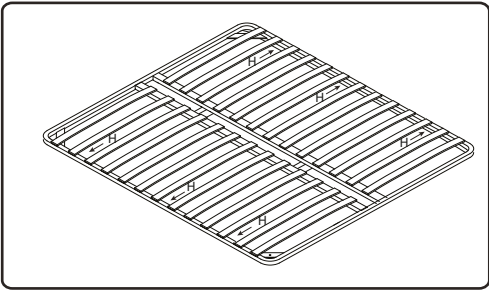


I  x6

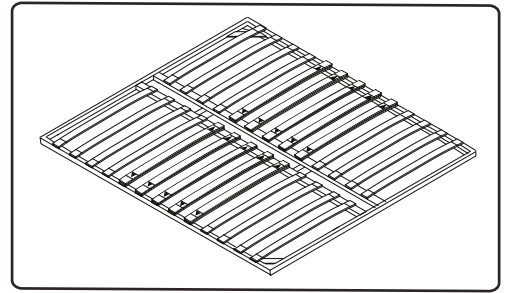
J  x3

K  x3

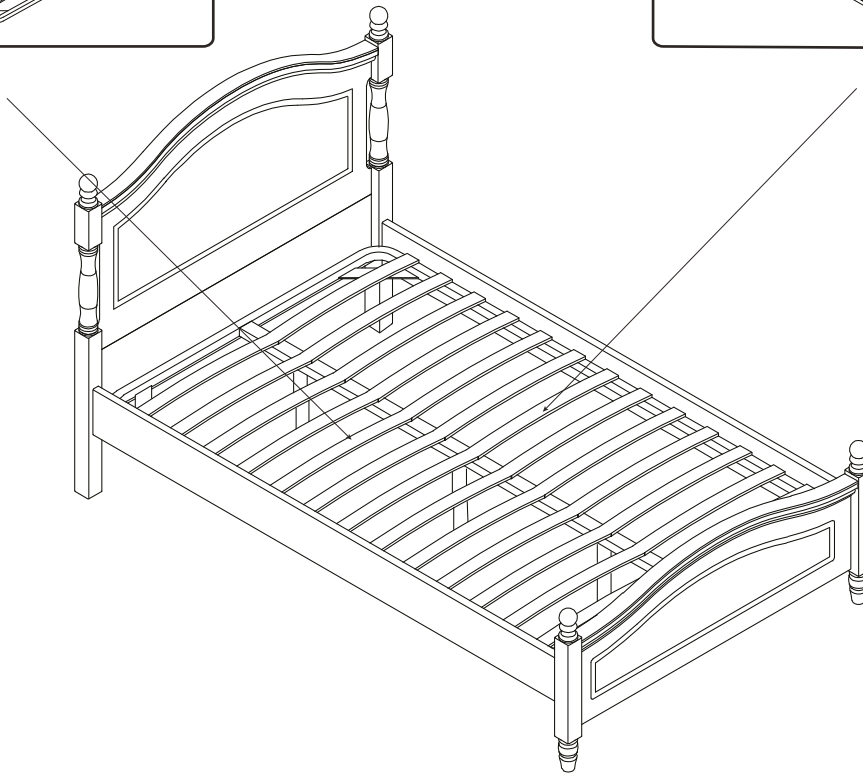
L2  x2



**BED BASE**  
120x200



**TWINPACK**  
120x200

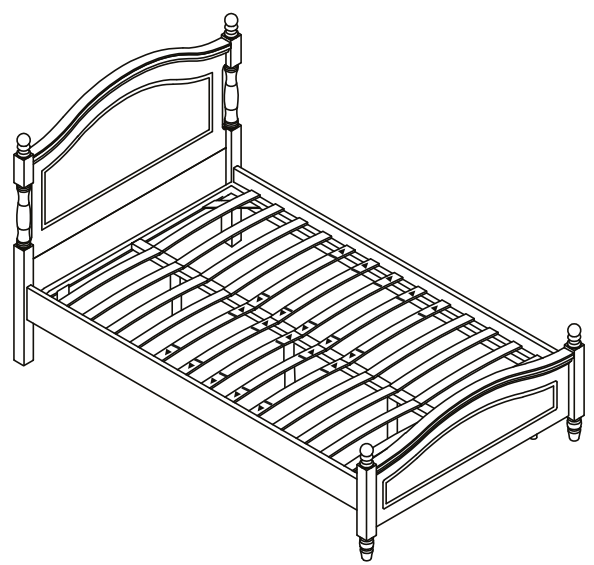
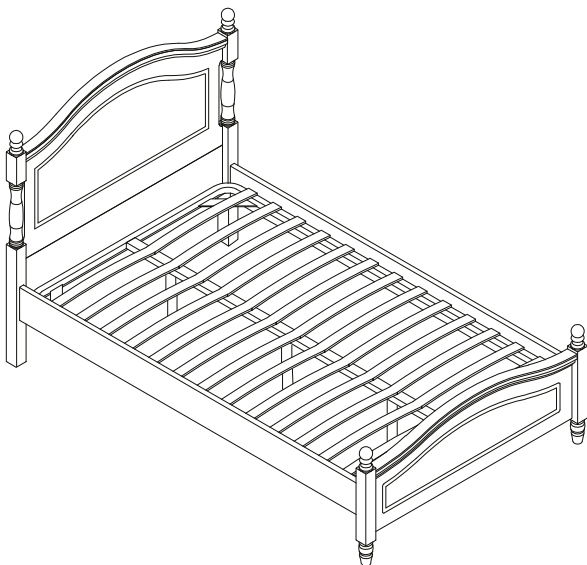


H  x6 **BED BASE**

**5**

**BED BASE**  
120x200

**TWINPACK**  
120x200



**6**