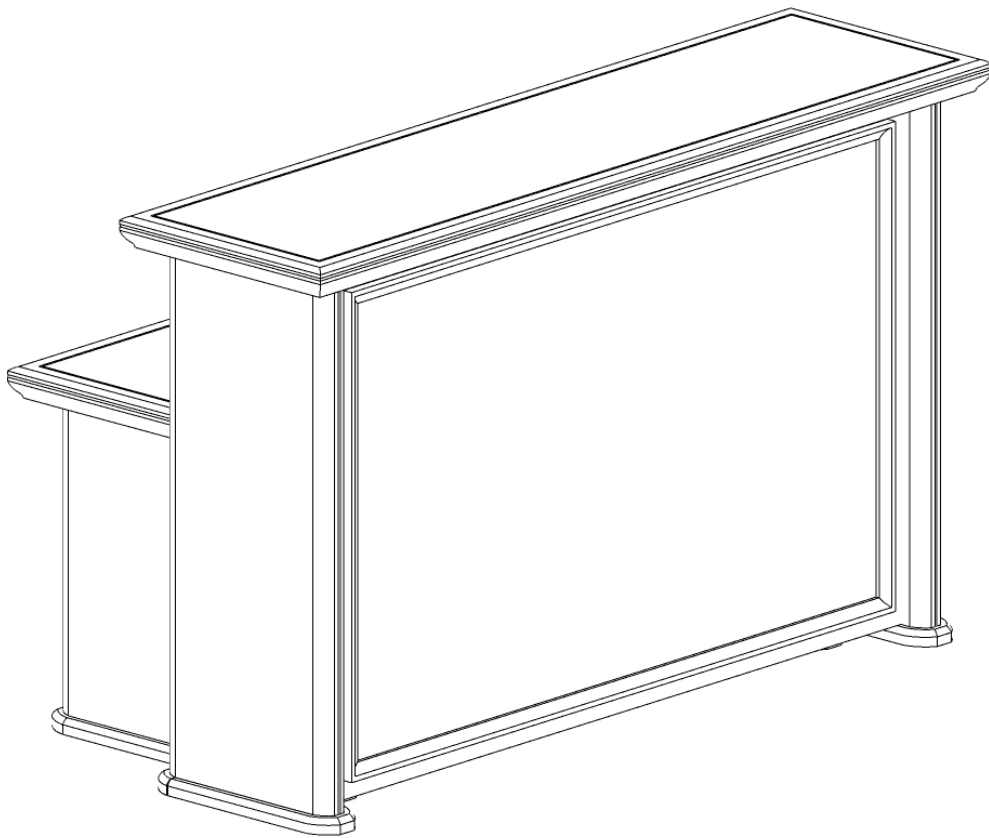
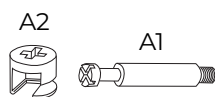
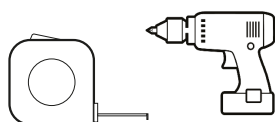
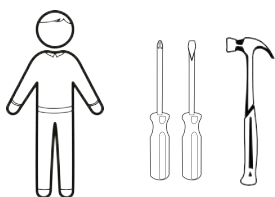
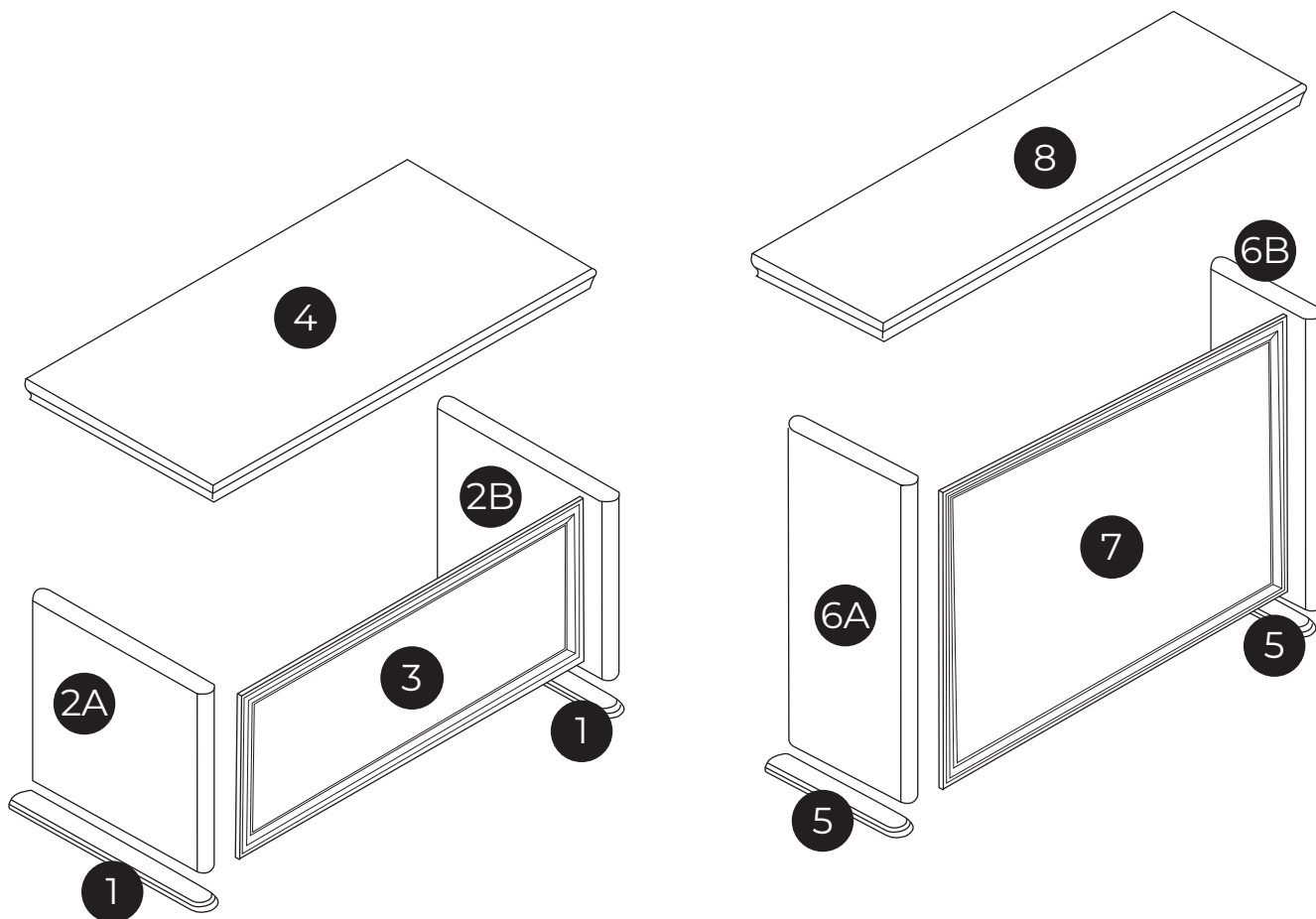


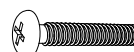
Lincoln

R1916 1900 x 500 x 1100mm
1600 x 800 x 770mm





A x18
 Ø 15 mm

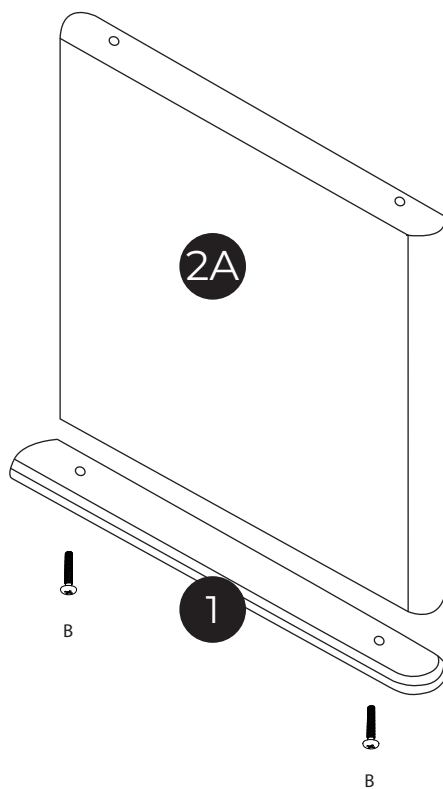


B x8
 M6 x 30 mm



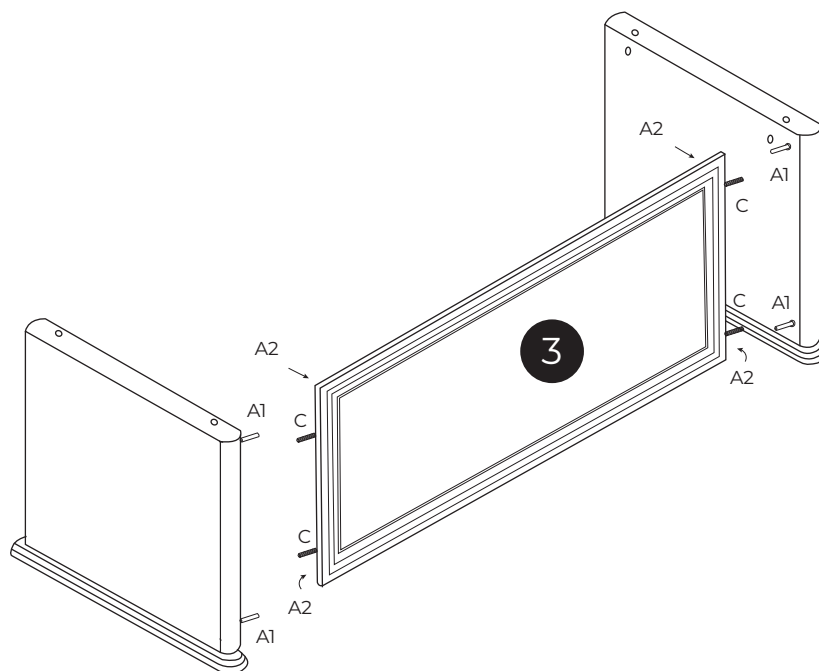
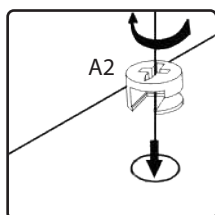
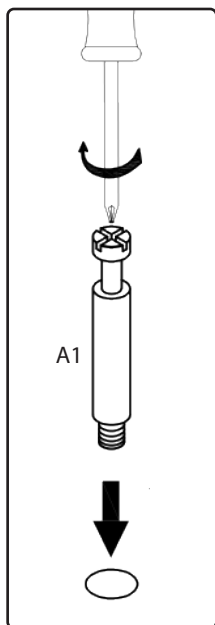
C x4
 Ø 8 x30 mm


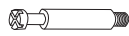
x2



B  x4

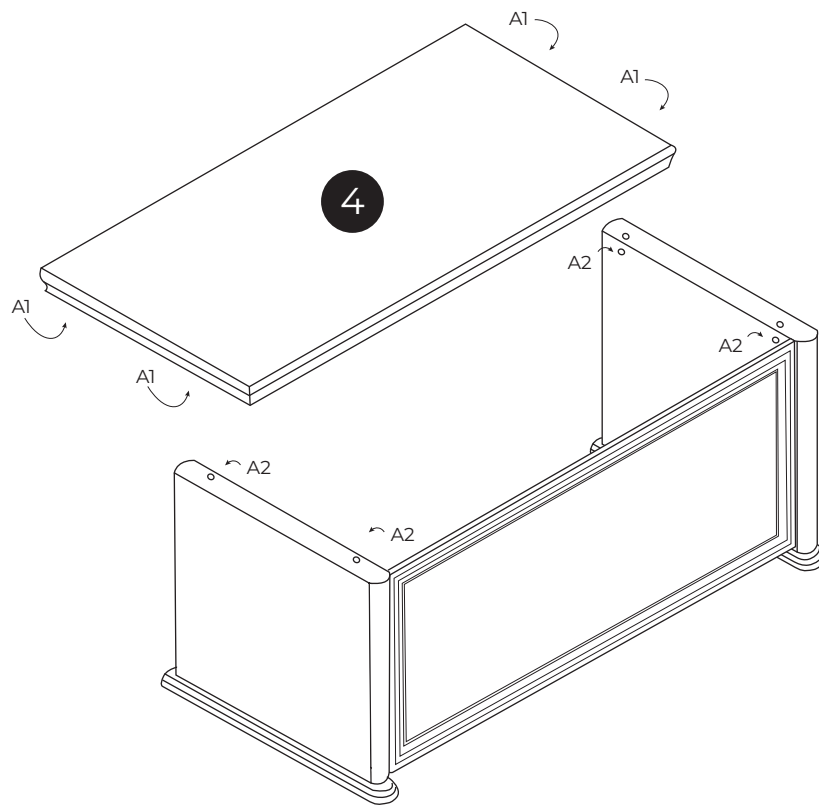
1

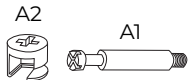


A   x4

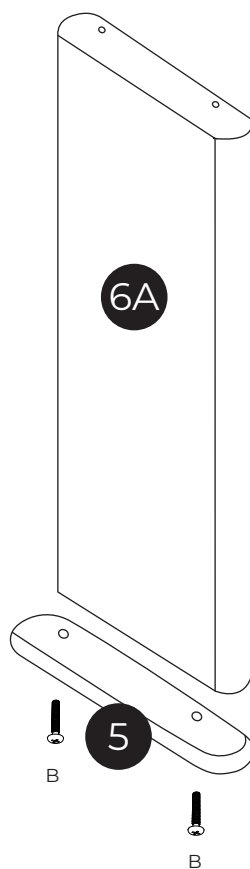
C  x4

2



A  x4

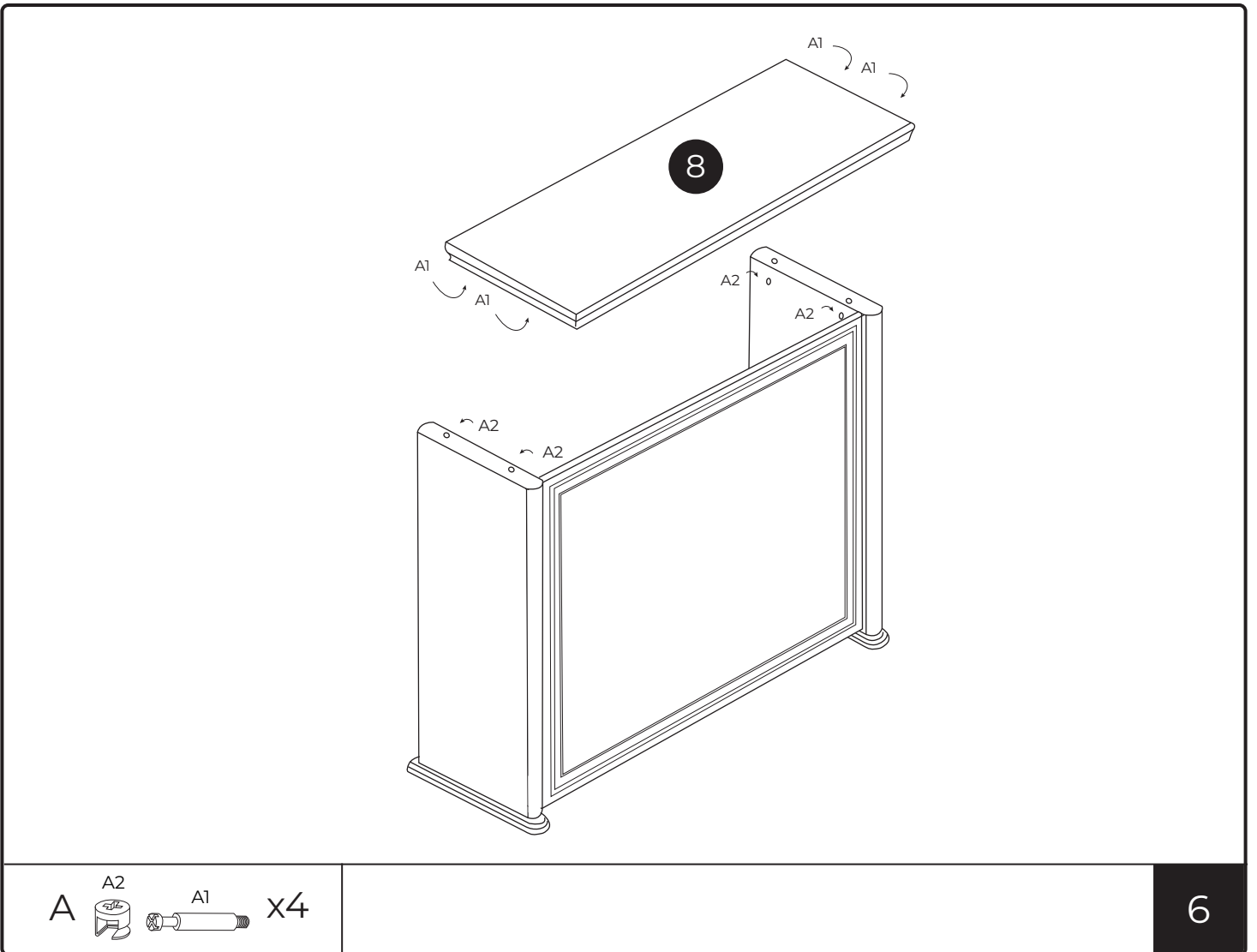
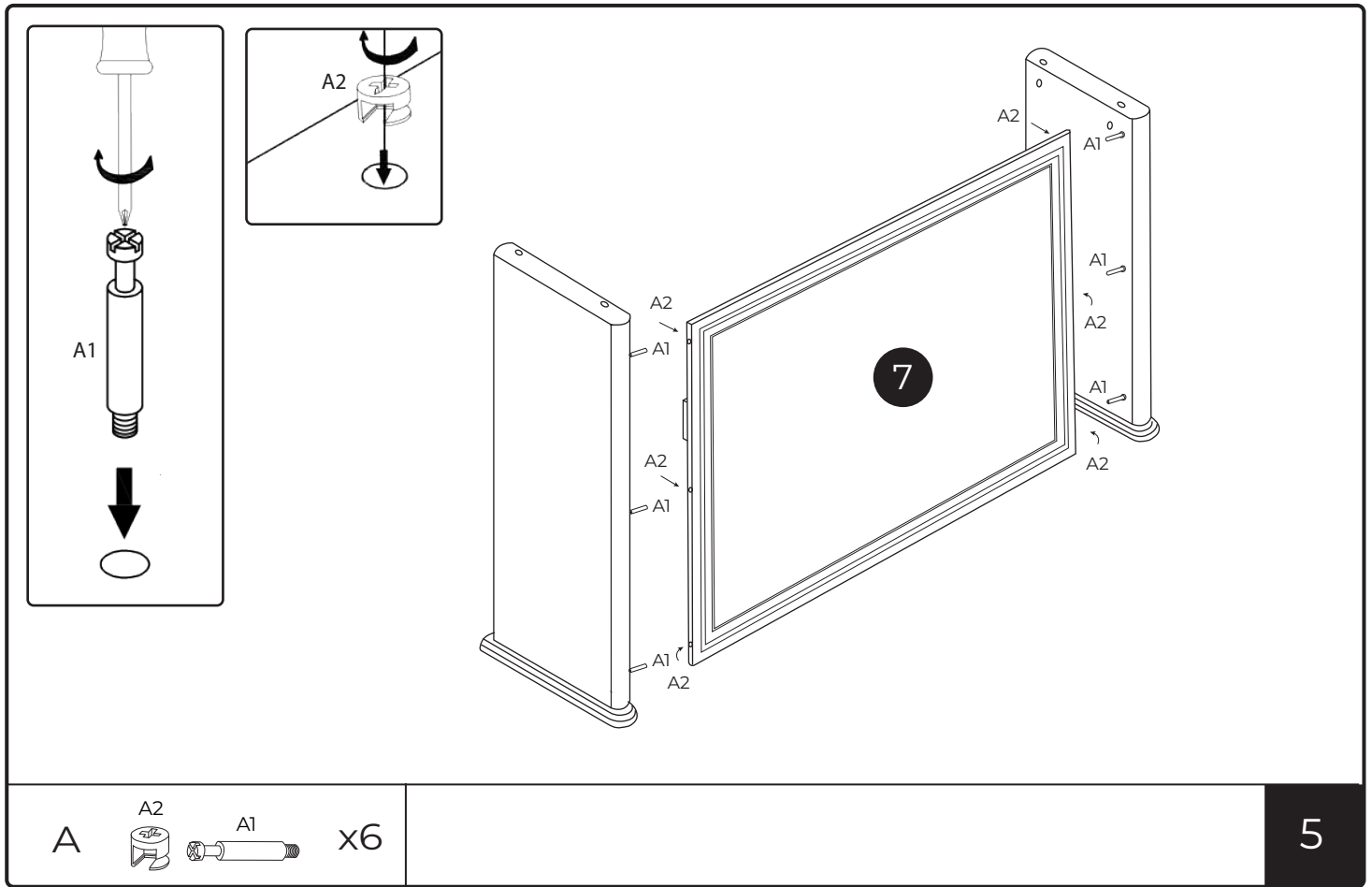
3

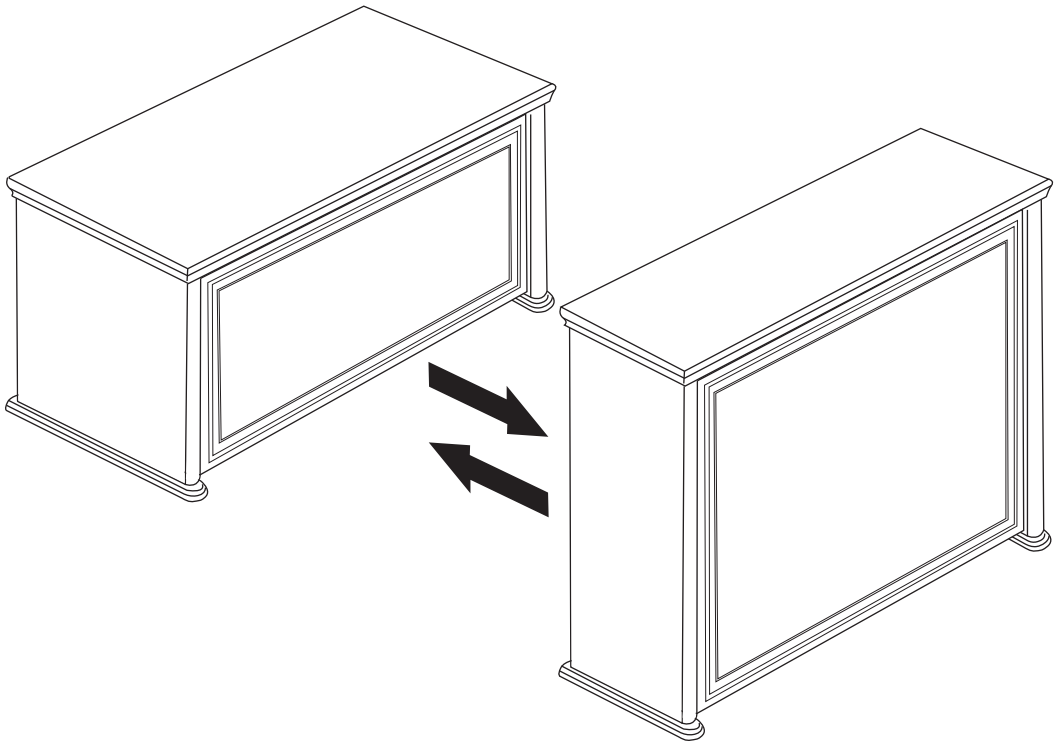


x2

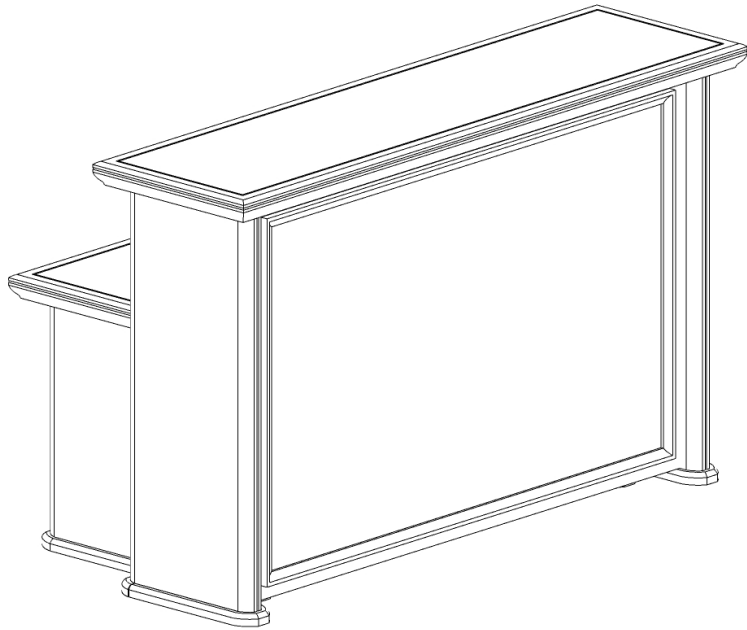
B  x4

4





7



8