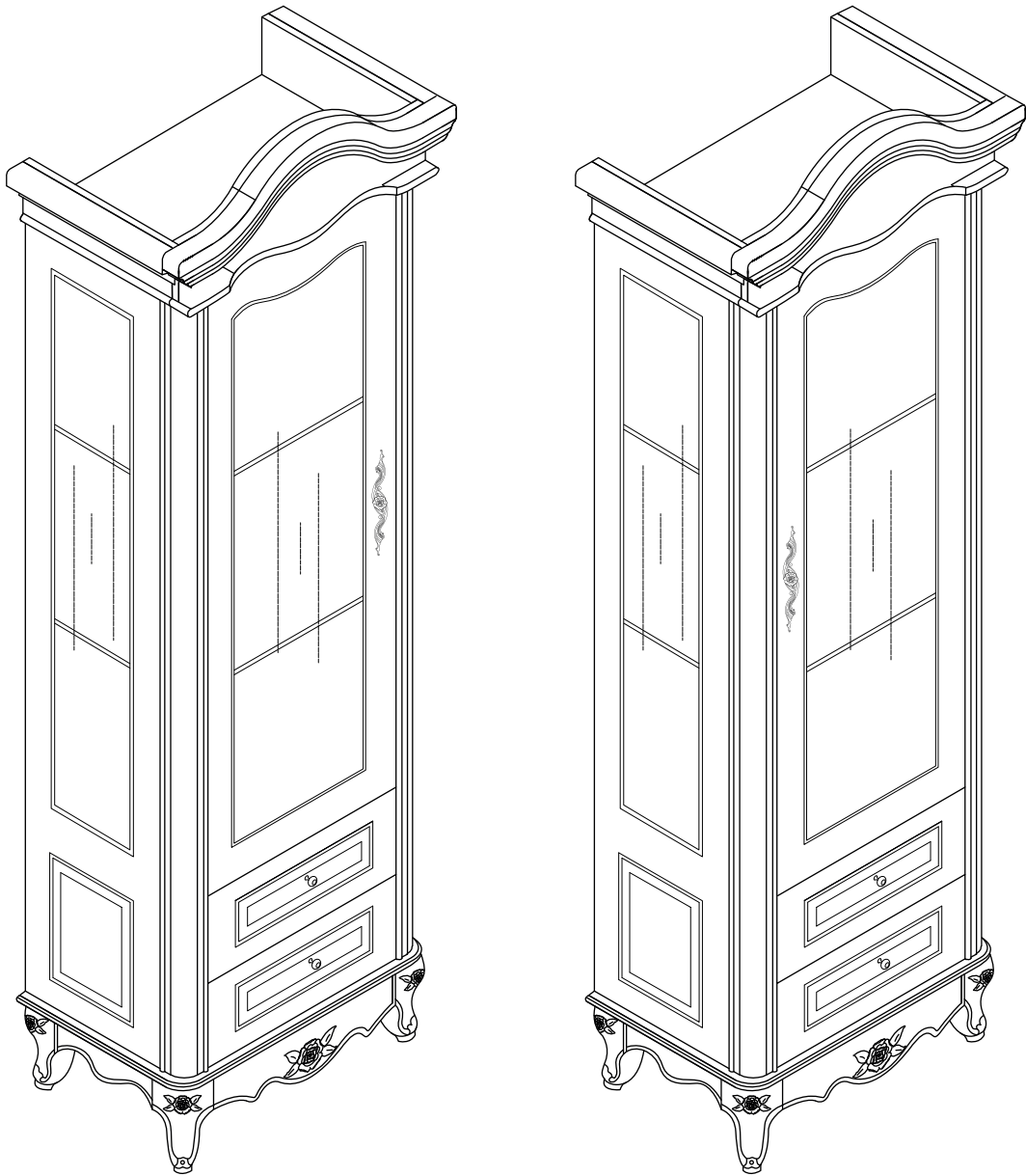
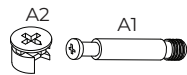
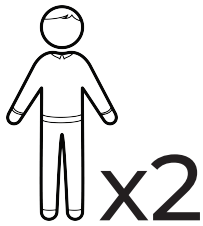
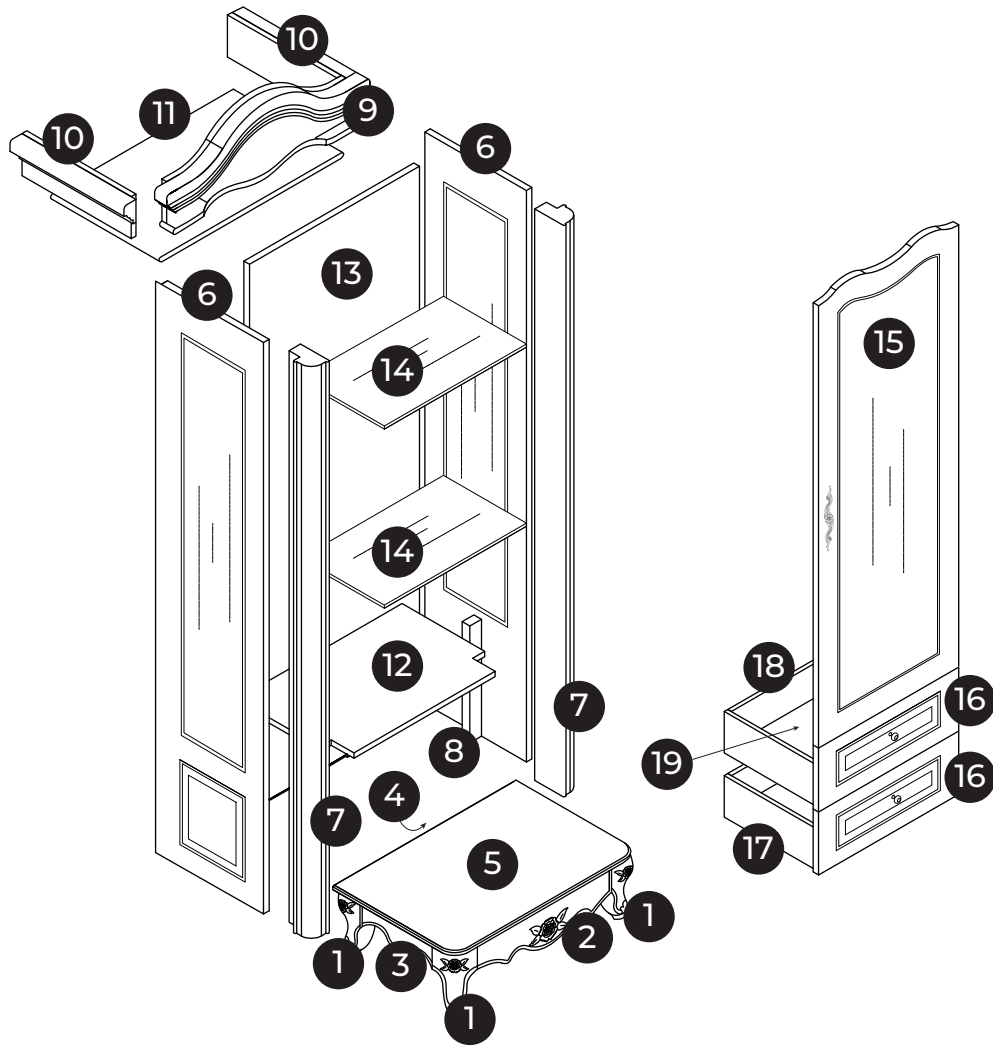


925L / 925R

660 x 430 x 2000 mm



BEMONDI



A x 45
 Ø 15 mm



B x 12
 Ø 8 x 30 mm



C x 1
 128 mm



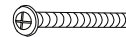
D x 2



E x 12
 Ø 4 x 10 mm



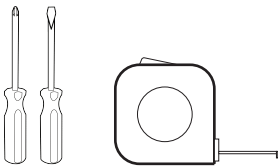
F x 4
 Ø 8 x 25 mm



G x 3
 Ø 4 x 25 mm



H x 6
 Ø 3.5 x 25 mm



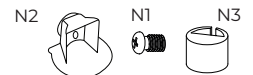
I x 24
 Ø 3.5 x 15 mm



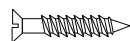
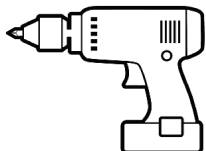
J x 8
 Ø 6 x 18 mm



K x 12
 Ø 6 x 45 mm



N x 4
 Ø 20 mm



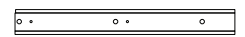
P x 8
 Ø 3.5 x 35 mm



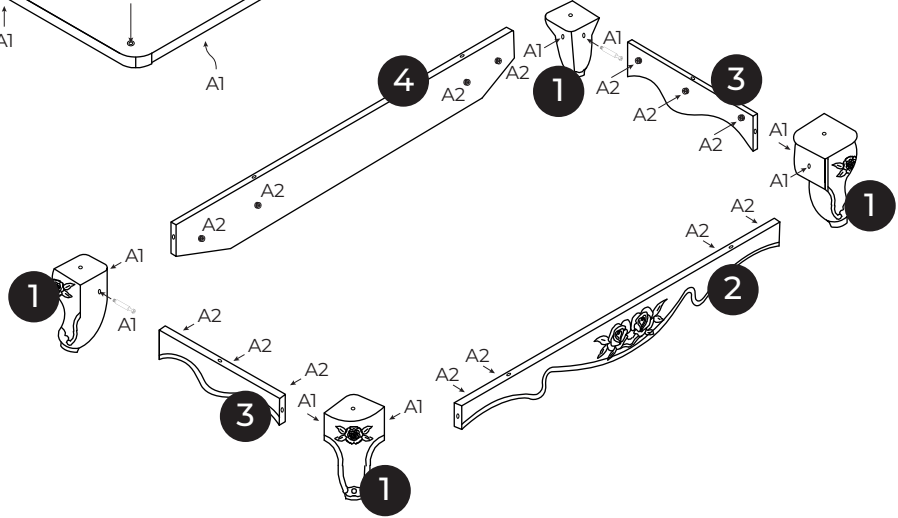
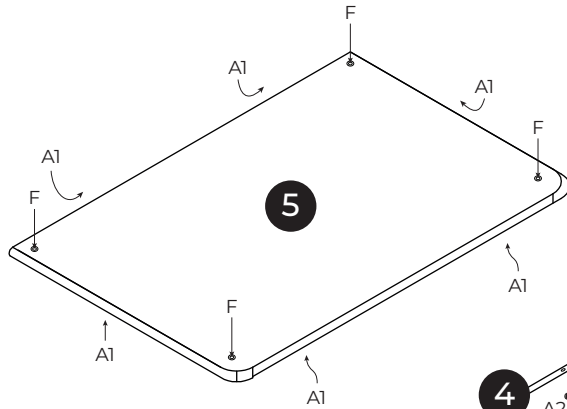
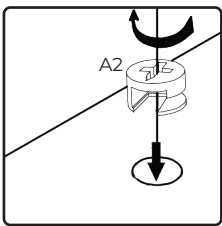
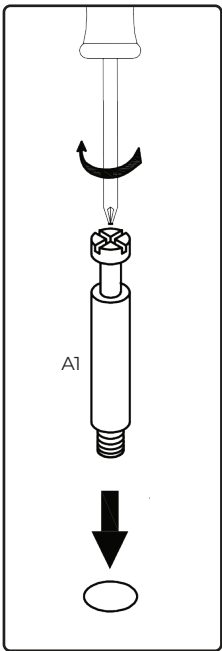
O x 3


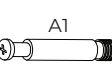


M x 2
 17 x 17 x 26 mm



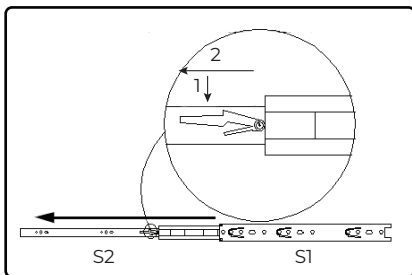
S x 4
 300 x 35 mm



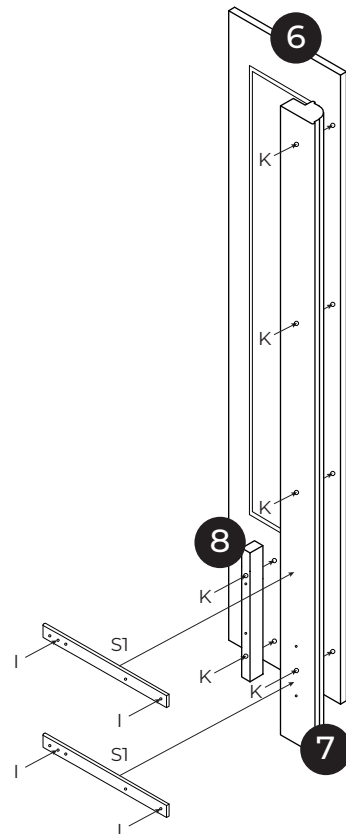
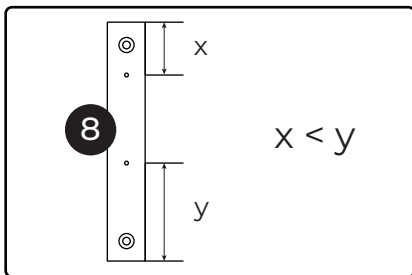
A   x14

F  x4

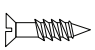
1



x4



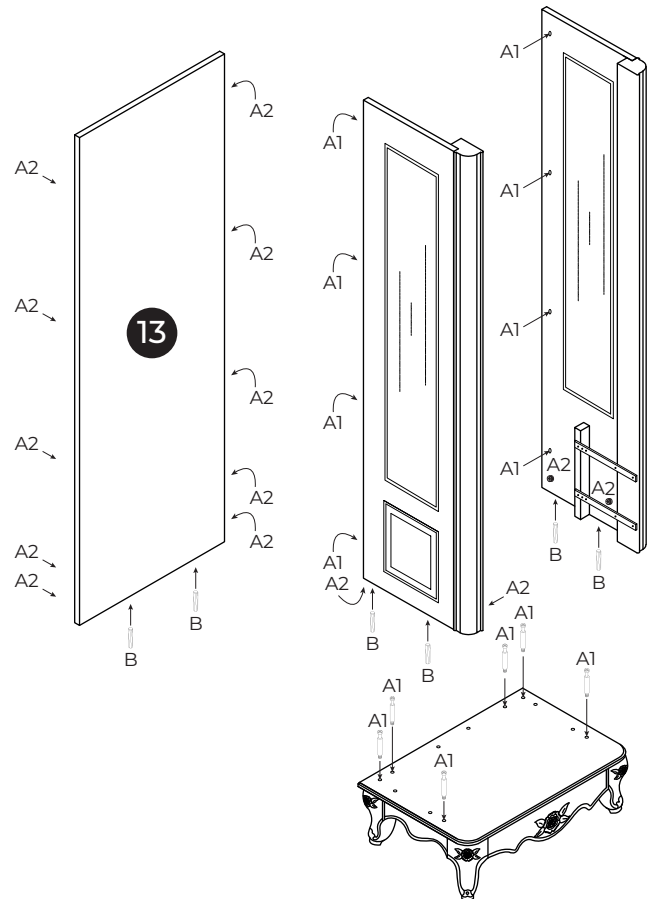
x2



I  x8

K  x12

S1  x4

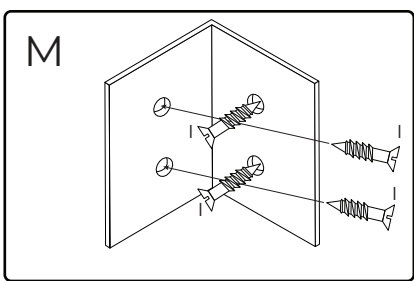
2



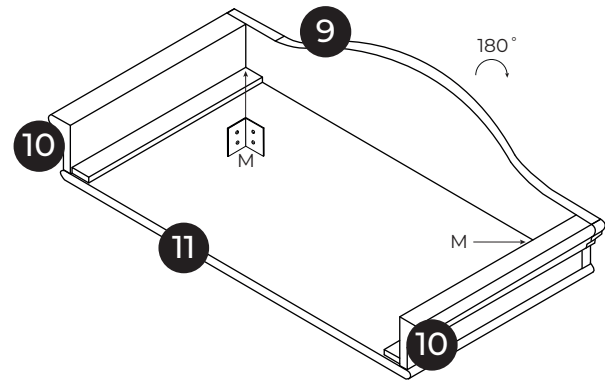
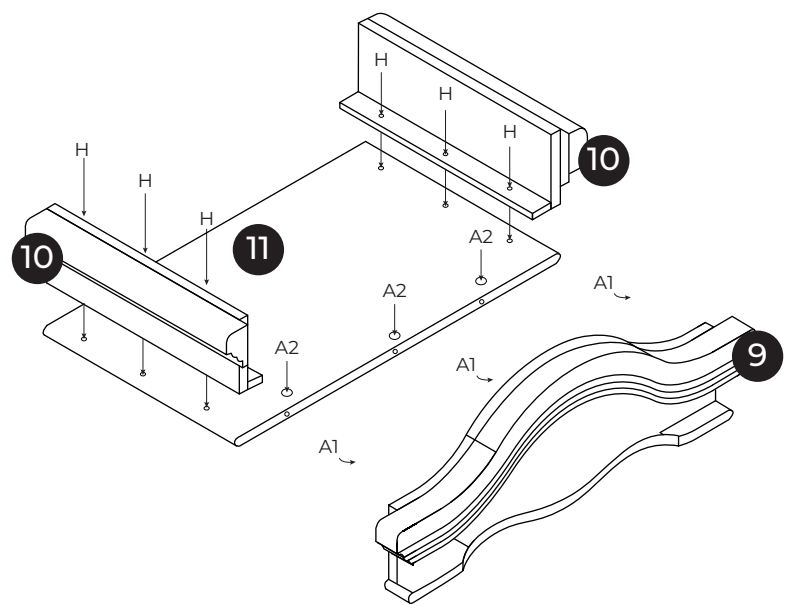
A   x14

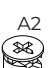

B  x6

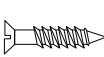
3

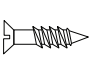


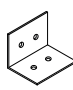
x2



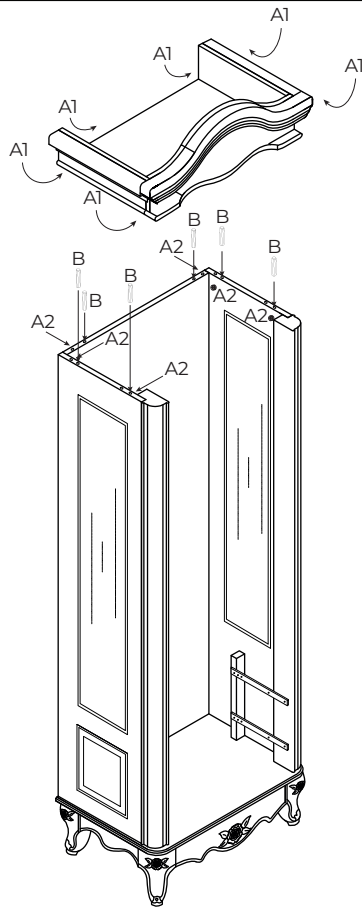
A   x3



H  x6

I  x8

M  x2

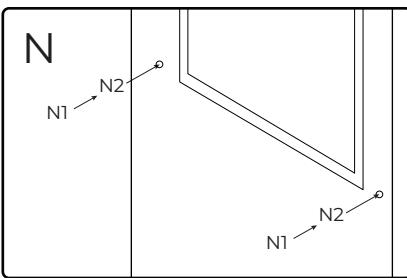
4



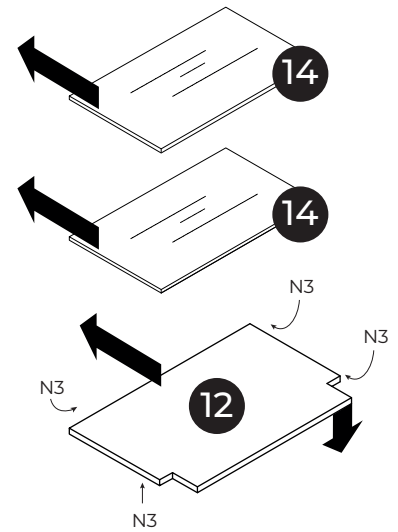
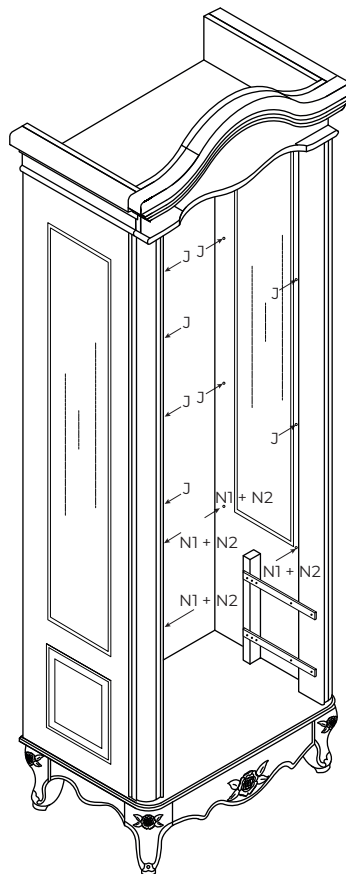
A   x6

B  x6




5



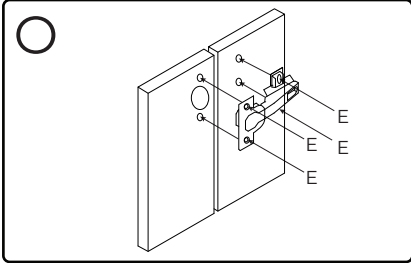
x4



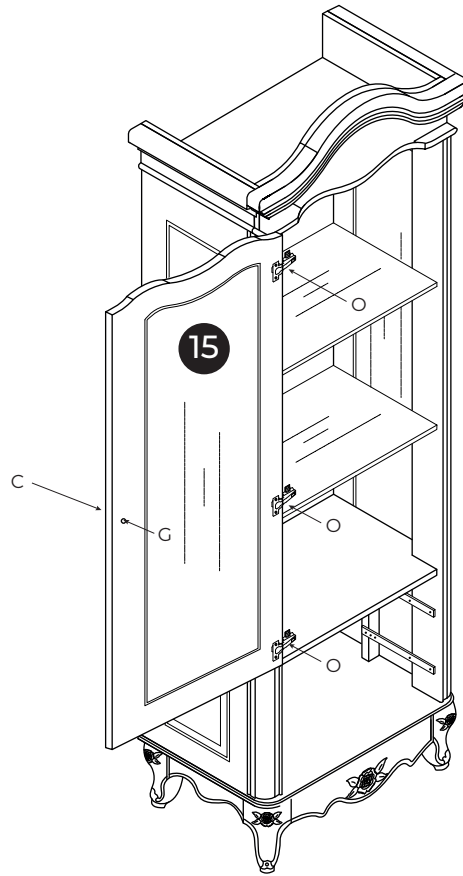
J  x8

N    x4

6




x3



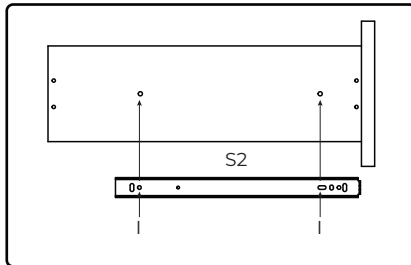
C  x1

E  x12

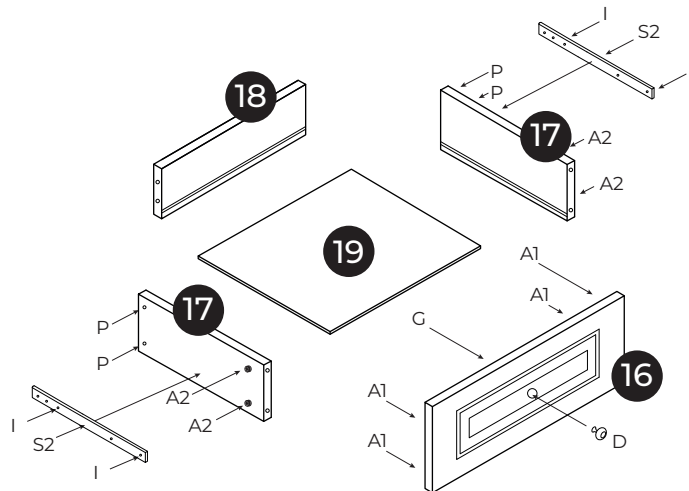
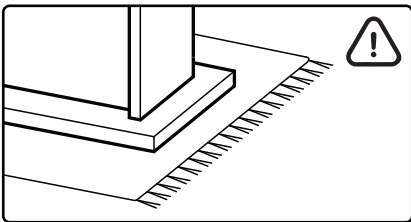
G  x1

O  x3


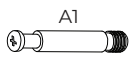
7




x4



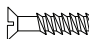
x2


A   x8

D  x2

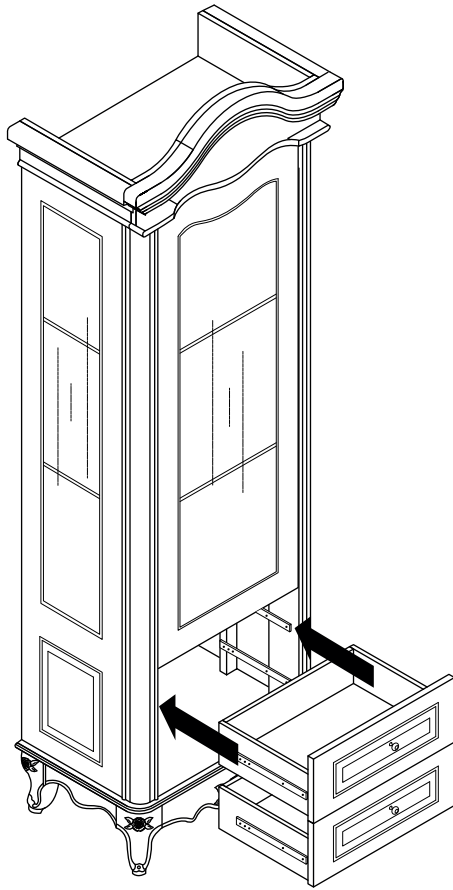
G  x2

I  x8

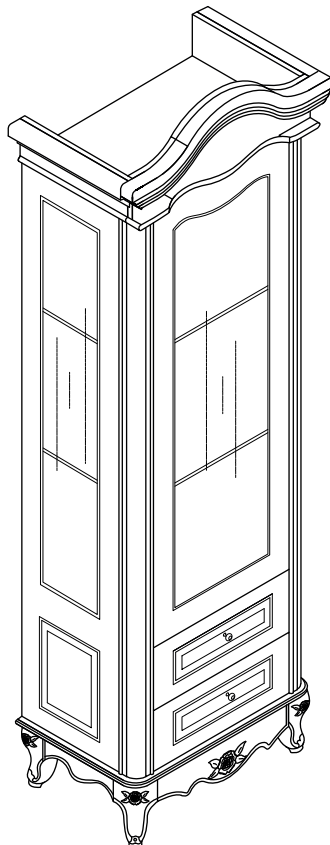
P  x8

S2  x4

8



9



10