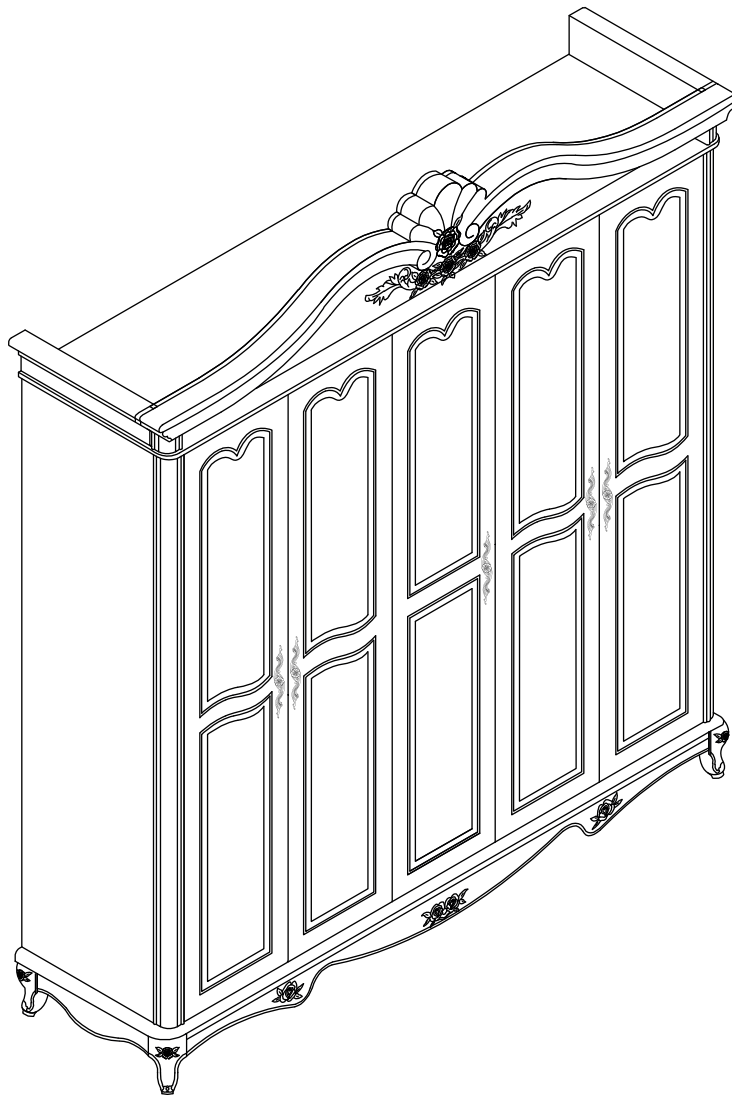
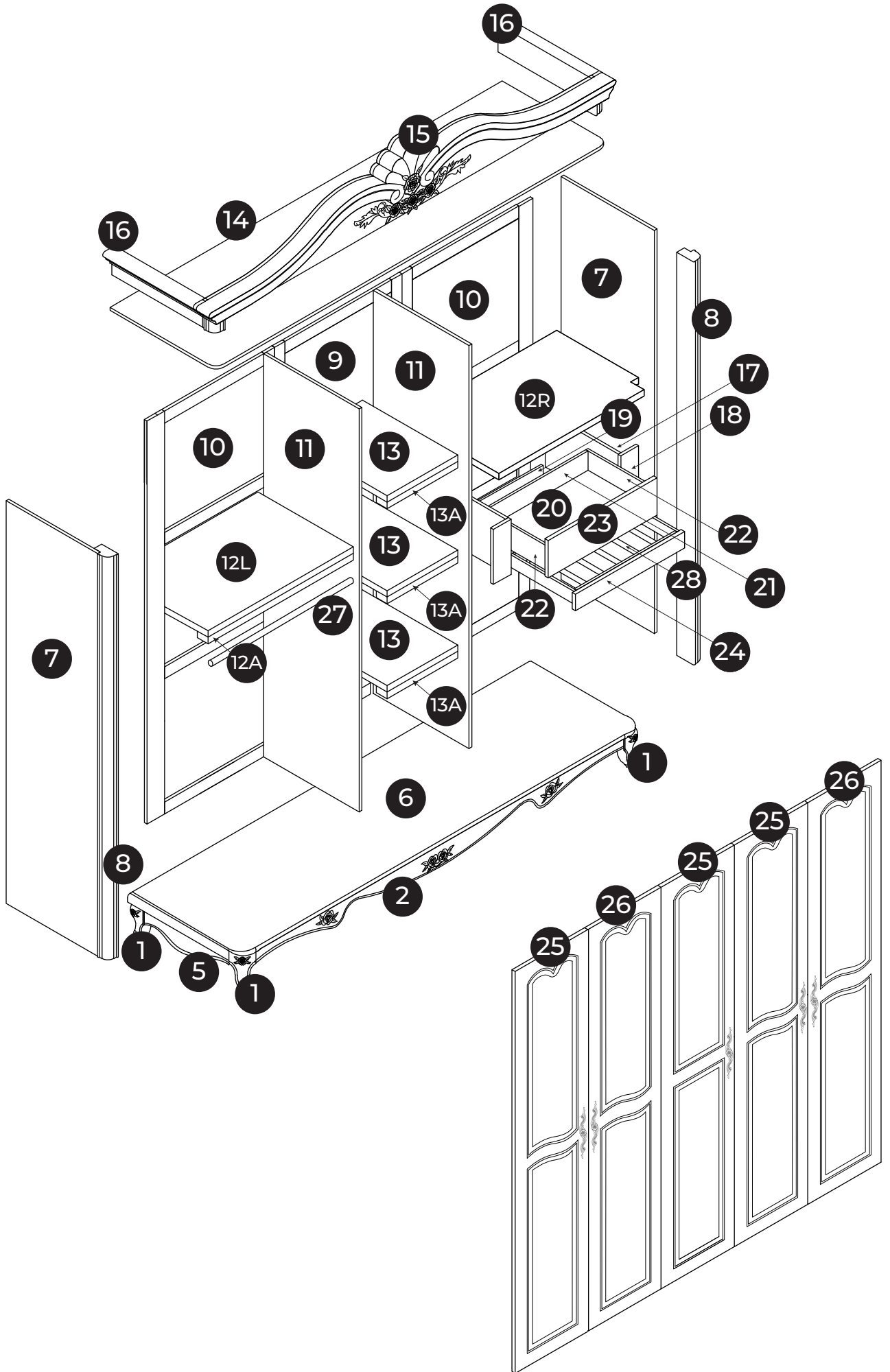


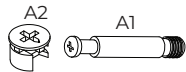
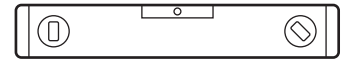
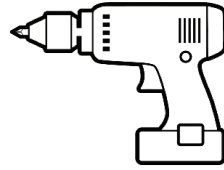
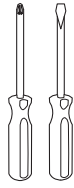
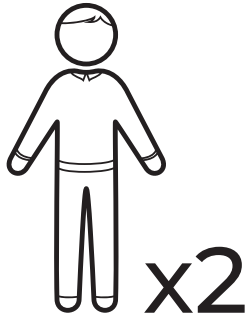
# 901-5

2230 x 600 x 2480 mm



**BEMONDI**





**A x 87**  
∅ 15 mm



**B x 26**  
∅ 8 x 30 mm



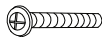
**C x 5**  
128 mm



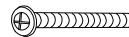
**D x 4**  
17 x 17 x 26 mm



**E x 80**  
∅ 4 x 10 mm



**F x 10**  
∅ 4 x 18 mm



**G x 5**  
∅ 4 x 25 mm



**H x 6**  
∅ 3.5 x 25 mm



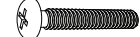
**I x 32**  
∅ 3.5 x 15 mm



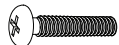
**J x 4**  
∅ 3.5 x 35 mm



**K x 4**  
∅ 8 x 45 mm



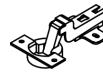
**L x 8**  
∅ 6 x 45 mm



**M x 2**  
∅ 6 x 25 mm



**N x 20**  
∅ 20 mm



**O x 8**



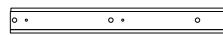
**P x 12**



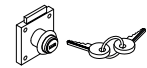
**Q x 3**  
∅ 60 mm



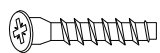
**R x 2**



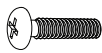
**S x 4**



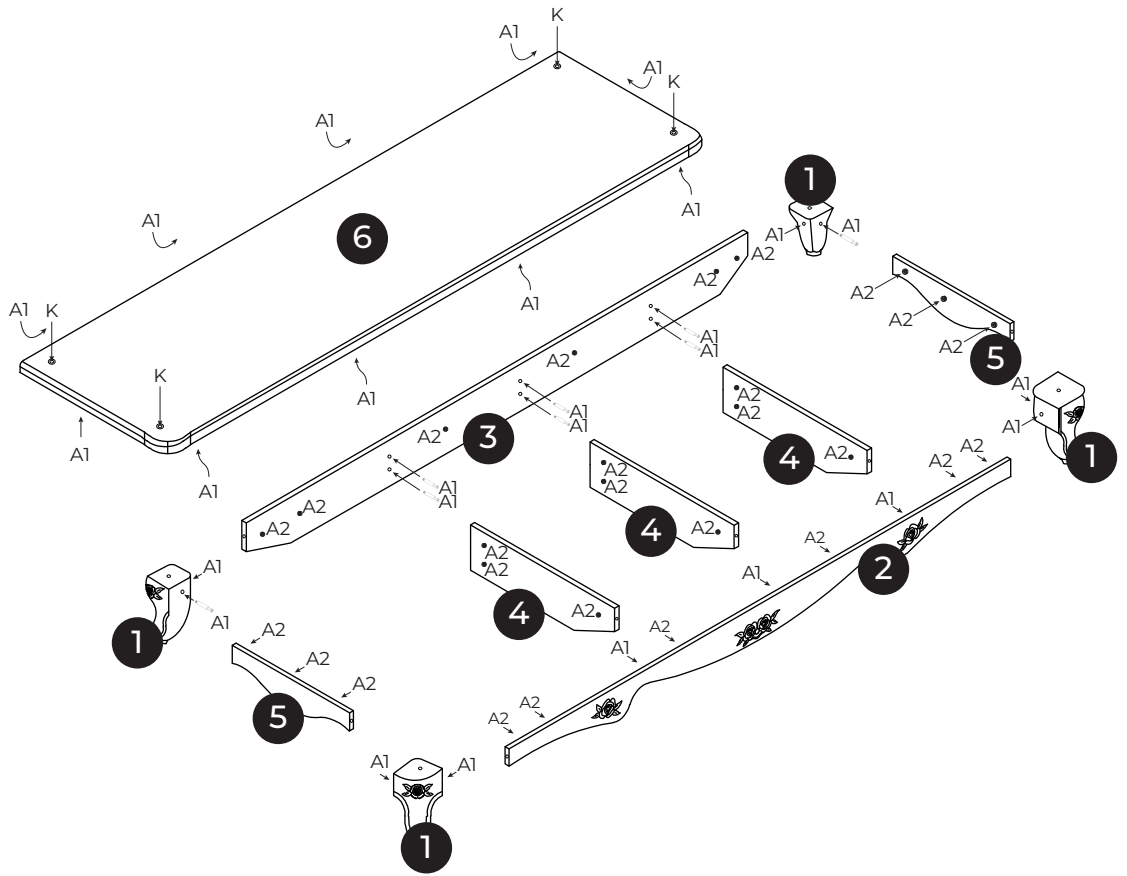
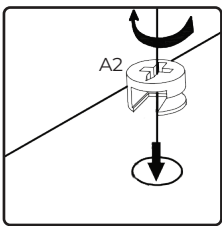
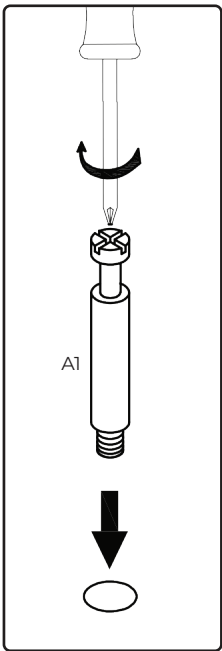
**T x 1**


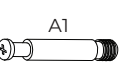



**U x 4**  
∅ 7 x 38 mm



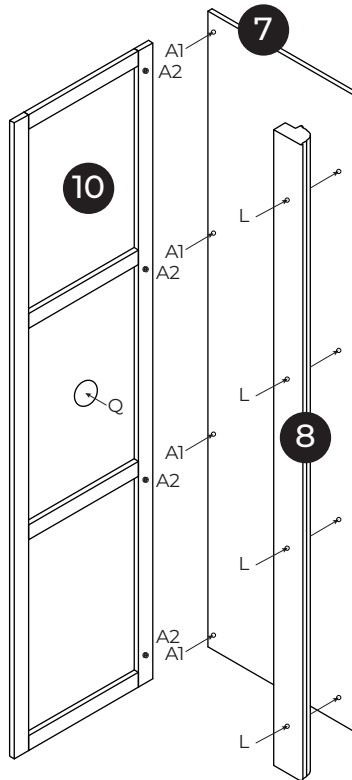
**V x 8**  
∅ 6 x 20 mm



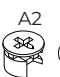
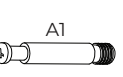
A   x27

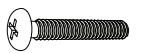
K  x4

1



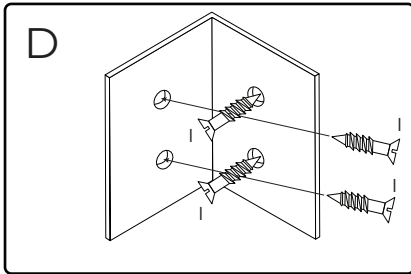
x2

A   x8

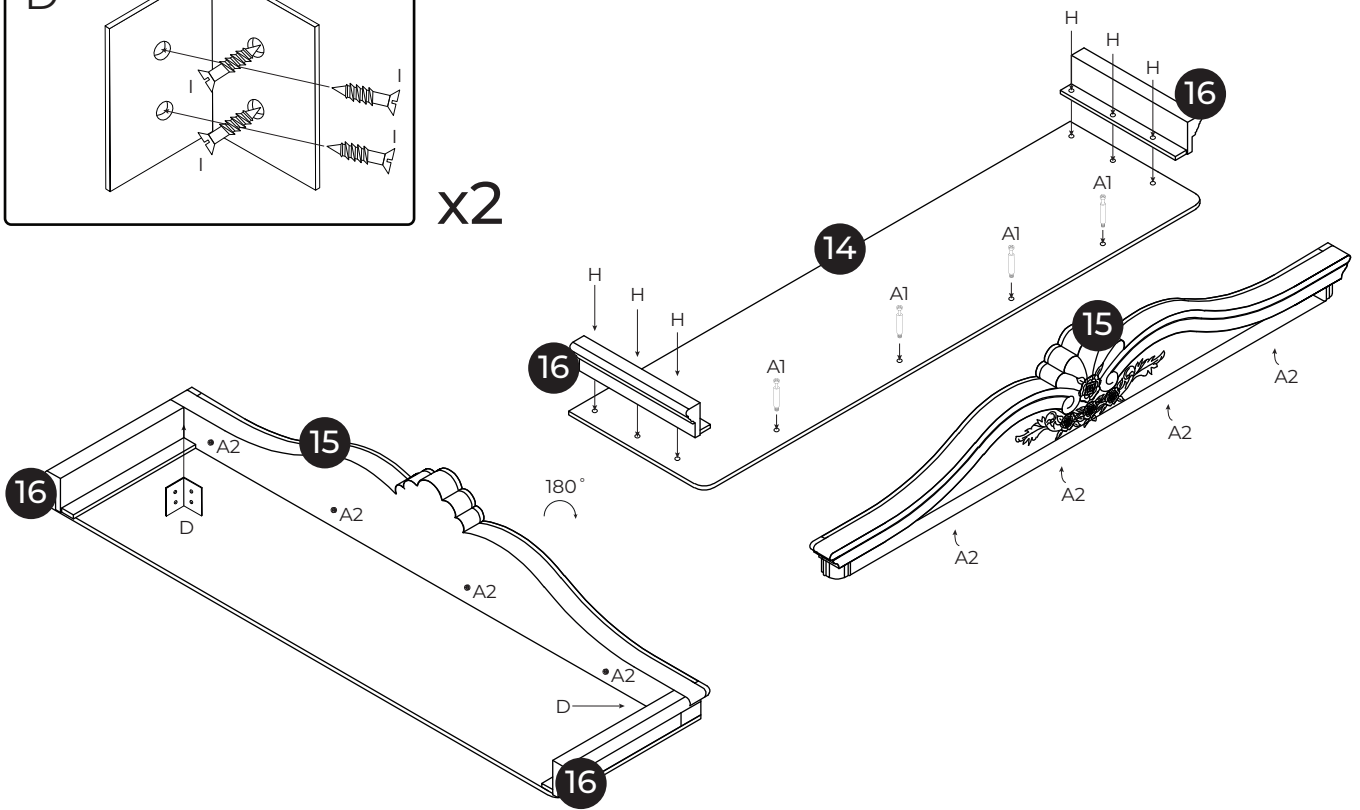
L  x8

Q  x2

2



x2



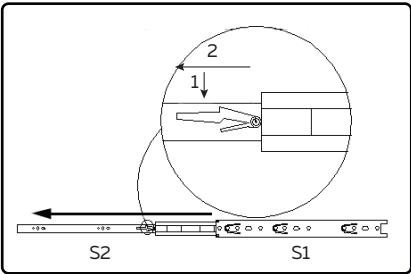
A x4

D x2

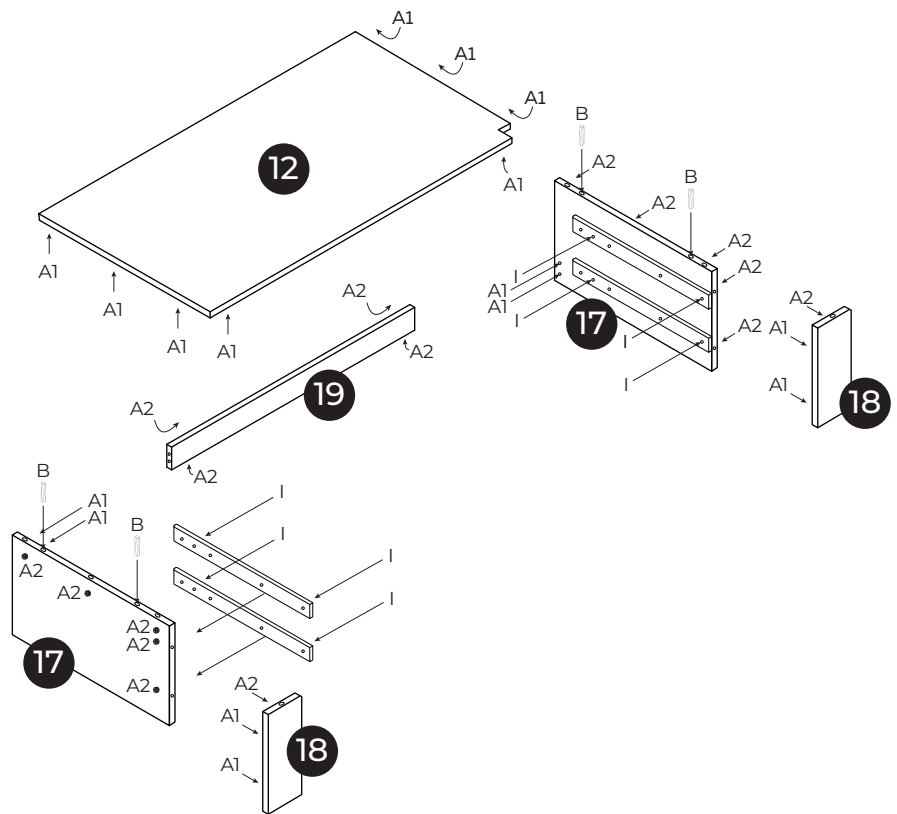
H x6

I x8

3



x4



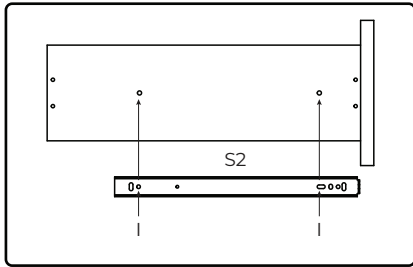
A x16

B x4

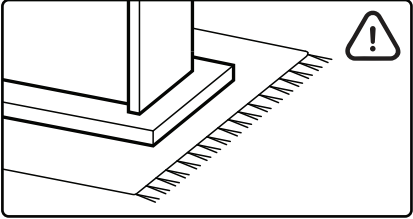
I x8

S1 x4

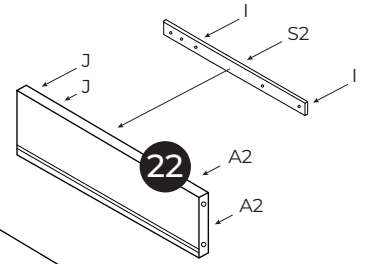
4



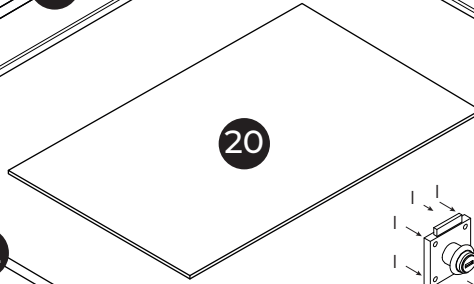
x2



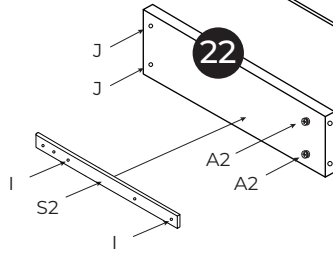
21



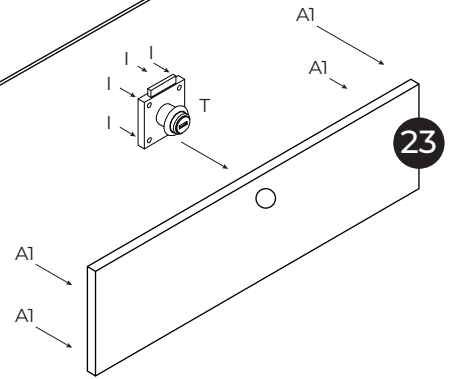
22



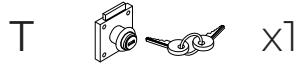
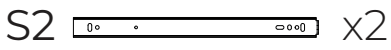
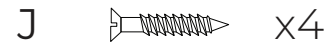
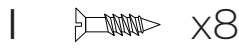
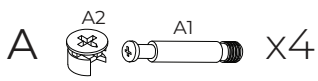
20



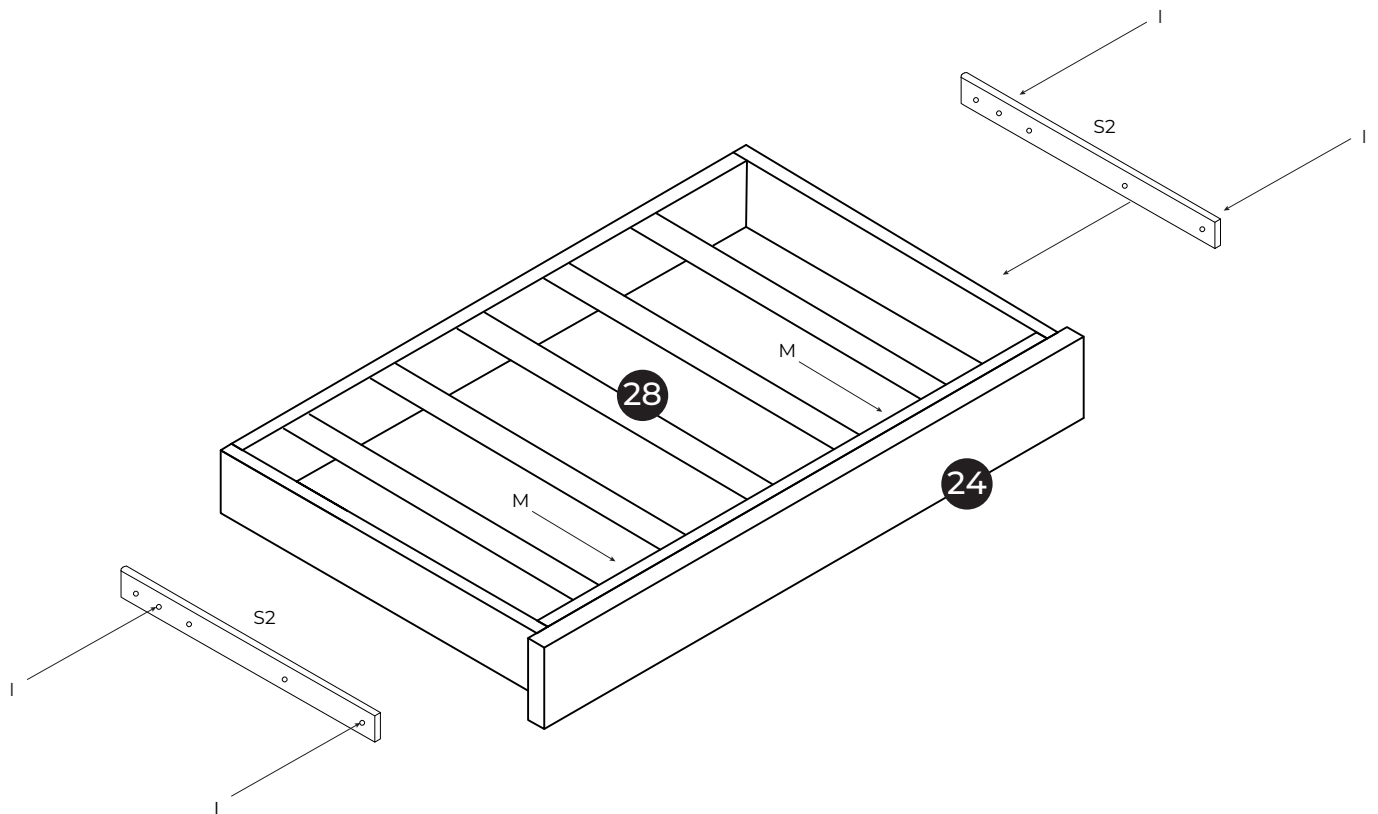
22



23

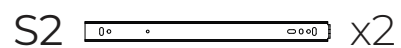


5

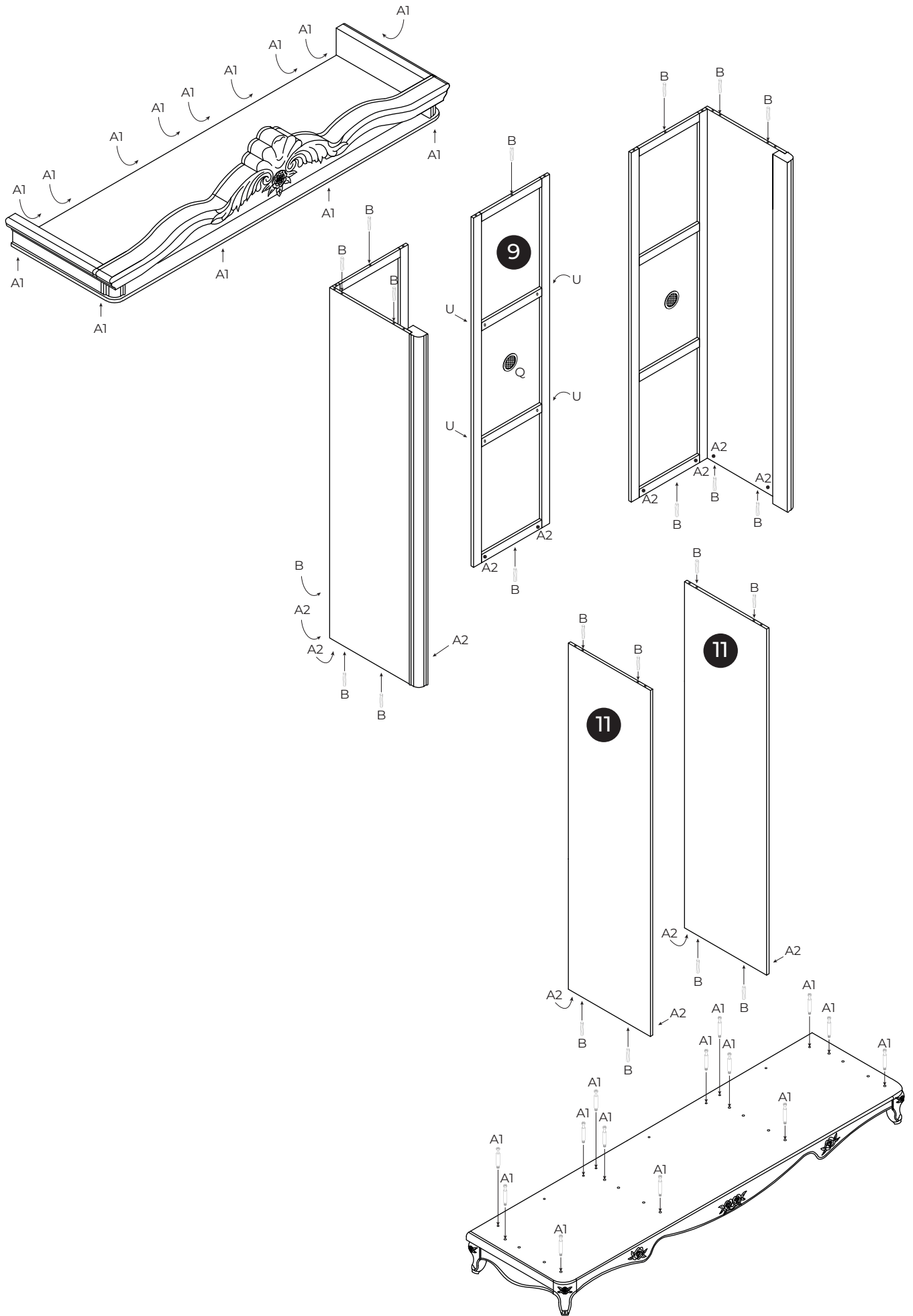


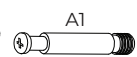
28

24

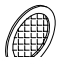



6

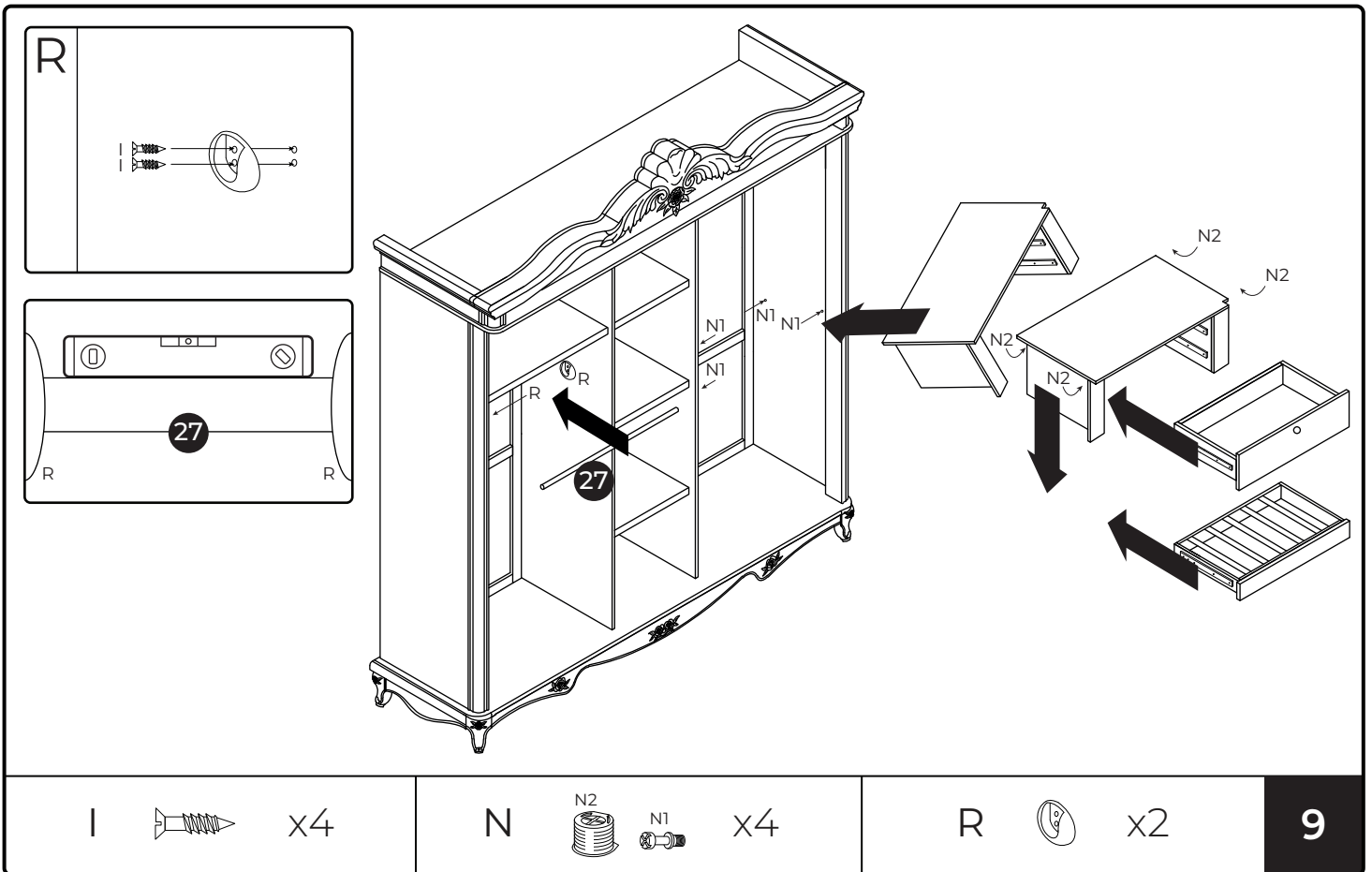
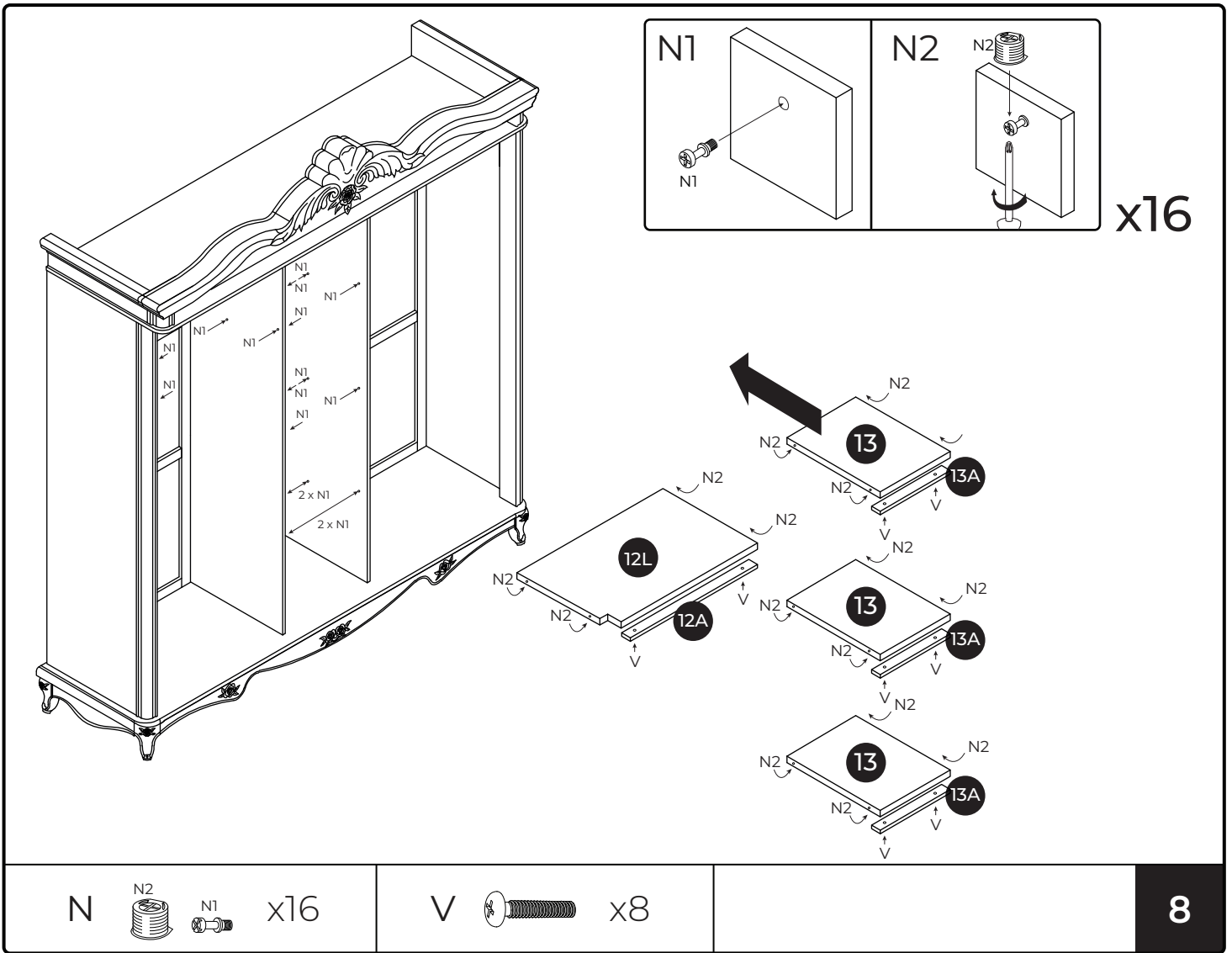


A  x28

B  x22

Q  x1

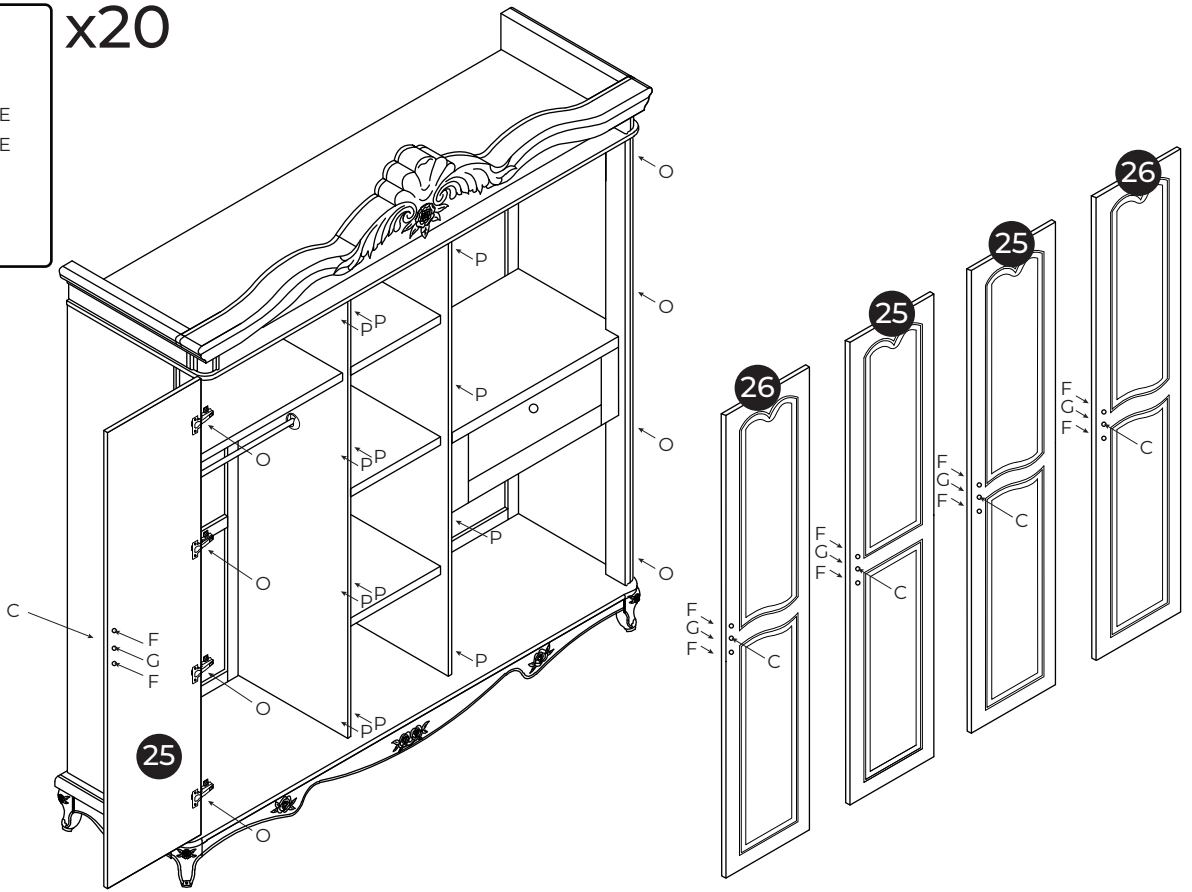
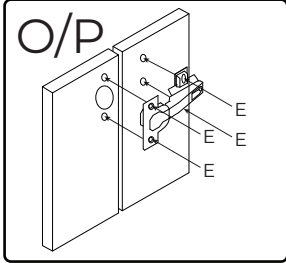
U  x4





O/P

x20



C  x5

E  x80

F  x10

G  x5

O  x8

P  x12

**10**

