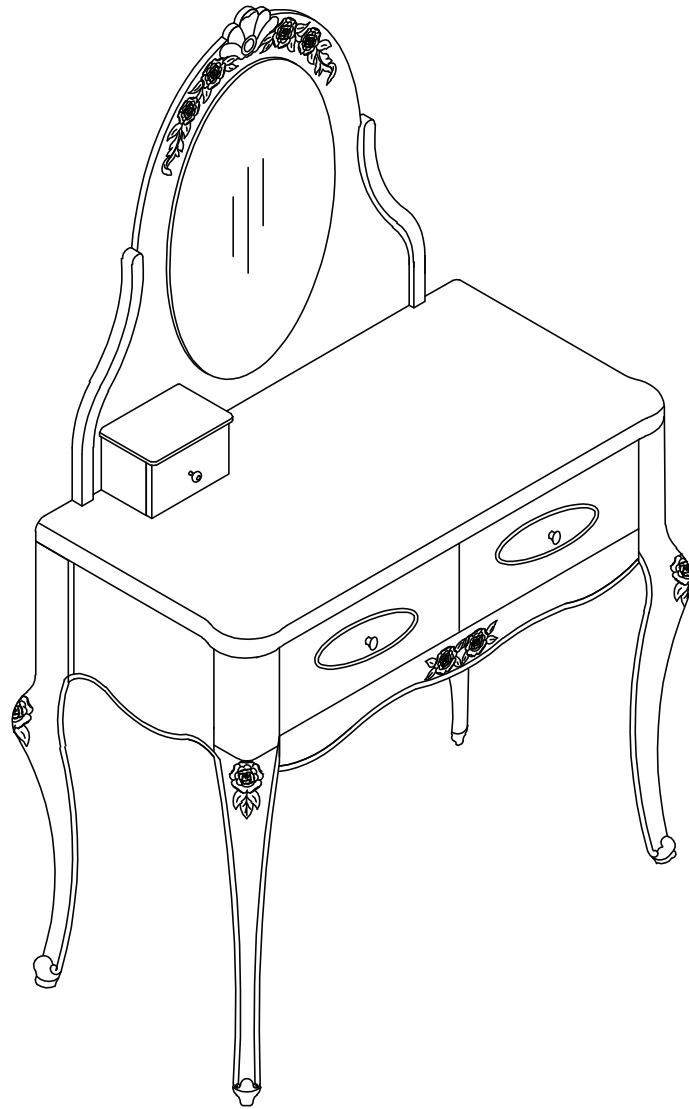
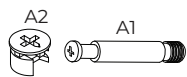
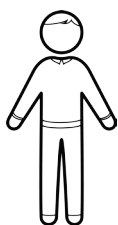
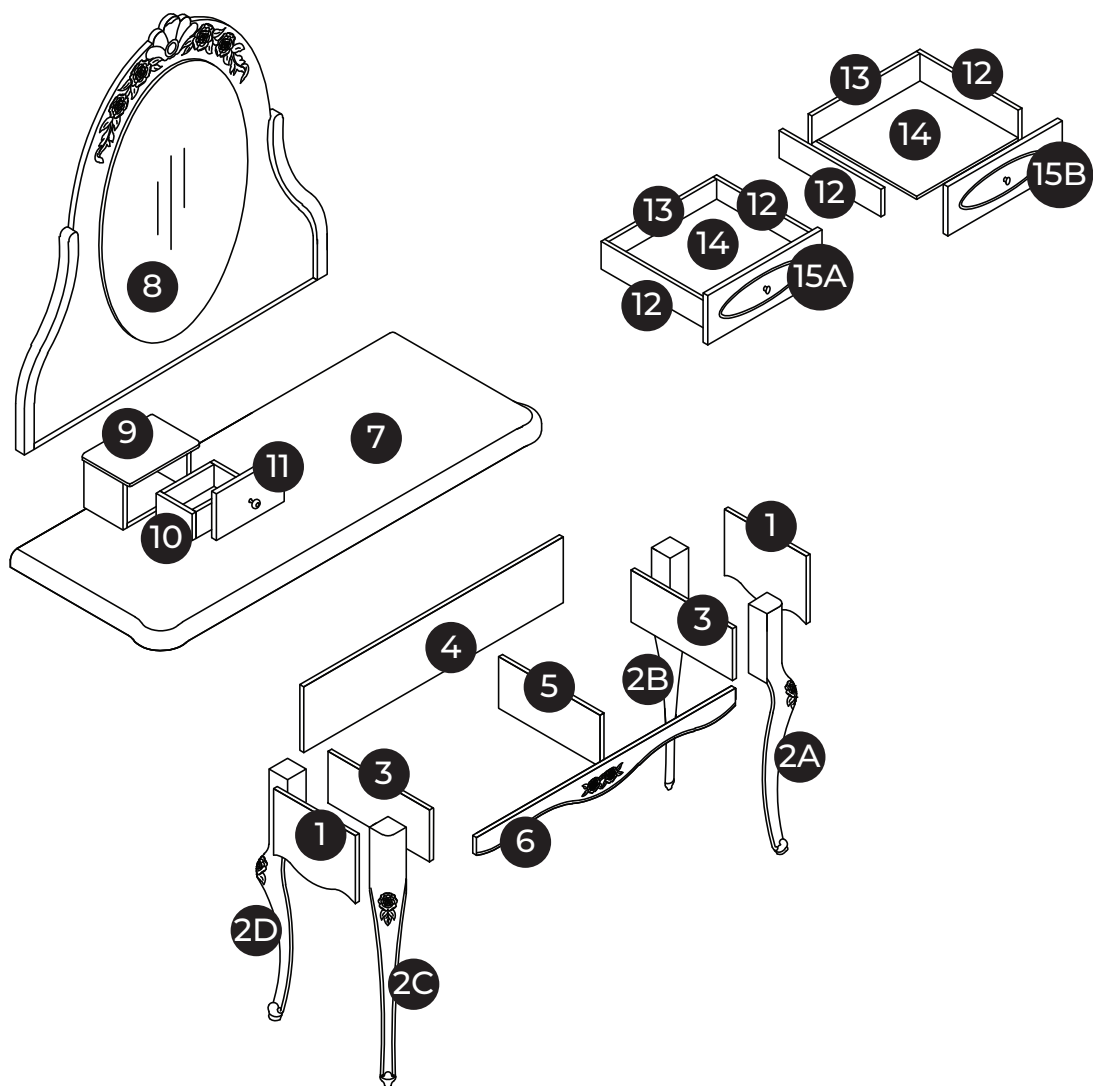


902B

920 x 470 x 1680 mm



BEMONDI



A x39
 Ø 15 mm



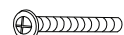
B x5
 Ø 8 x 30 mm



C x3



D x2
 Ø 4 x 25 mm



E x1
 Ø 4 x 18 mm



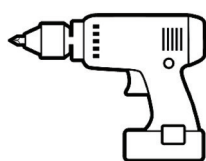
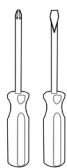
F x36
 Ø 3,5 x 15 mm



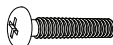
G x8
 Ø 3,5 x 35 mm



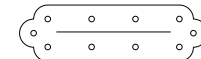
H x2
 Ø 6 x 20 mm



I x2
 Ø 6 x 50 mm



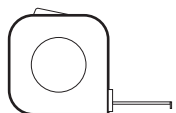
J x10
 Ø 6 x 25 mm

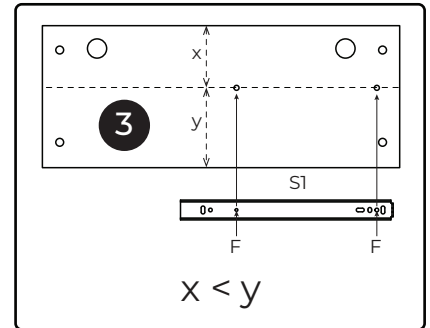
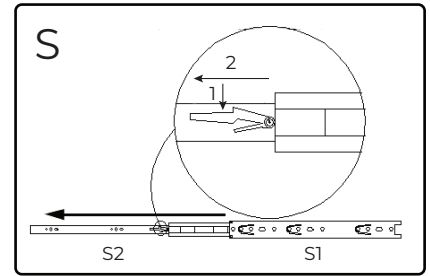
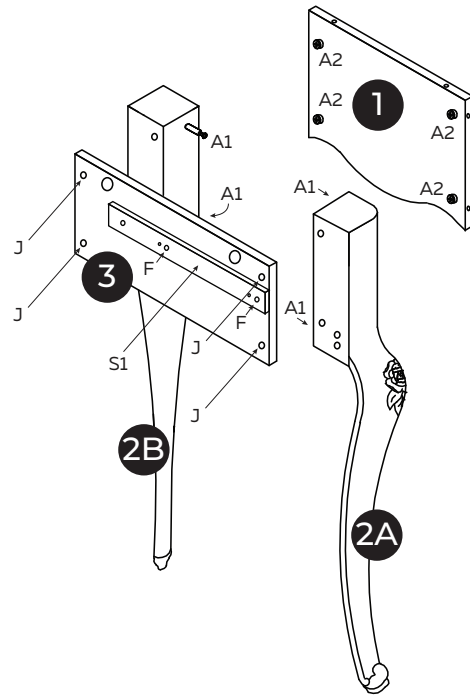
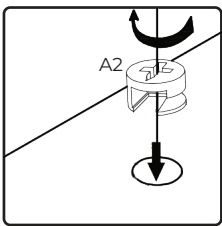
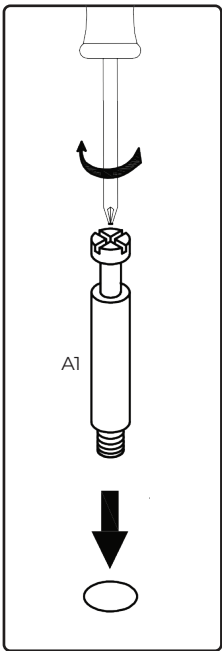


K x2
 250 x 40 mm

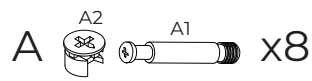


S x4
 350x35 mm

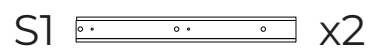
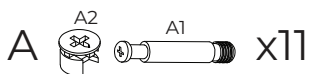
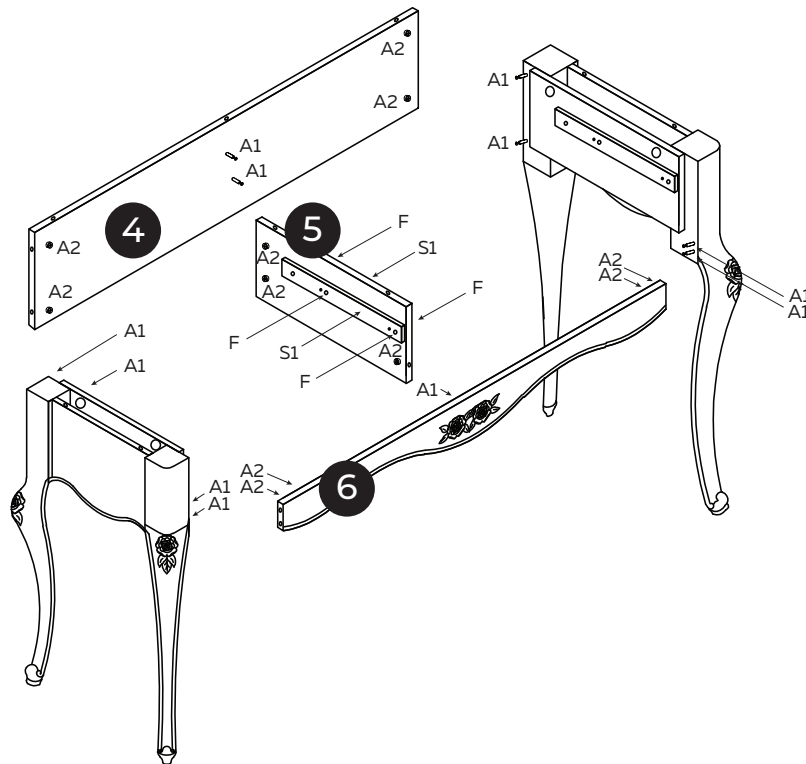




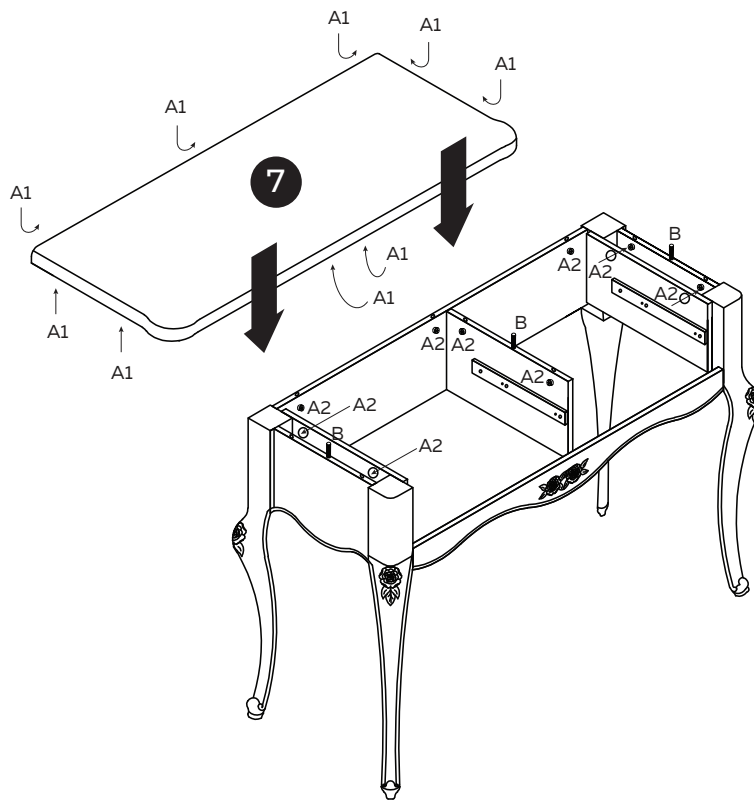
x2





1



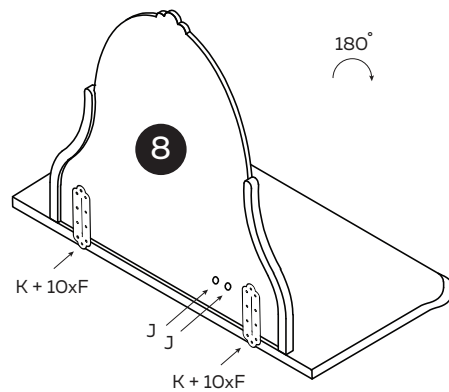
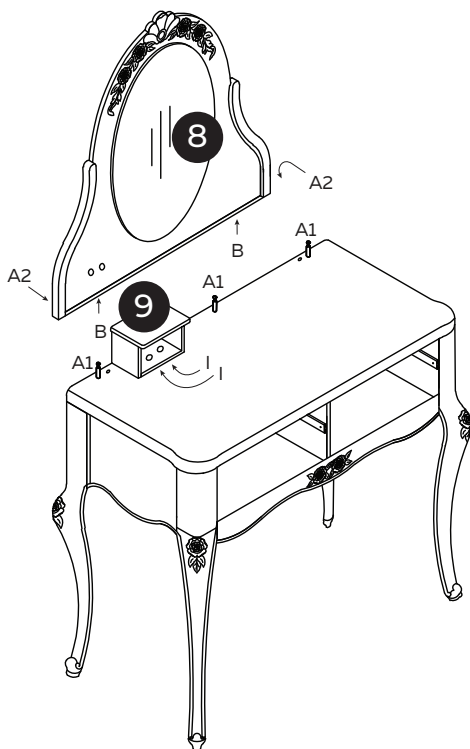
2





A   x9

B  x3

3



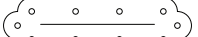
A   x3

B  x2

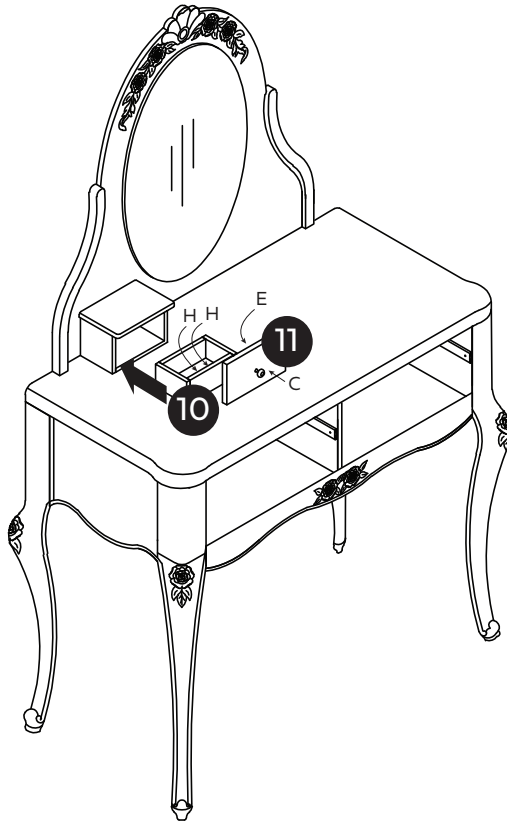
F  x20

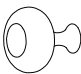
I  x2

J  x2

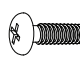
K  x2

4

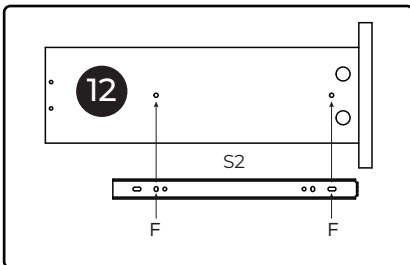


C  x1

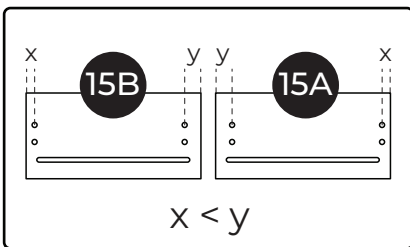
E  x1

H  x2

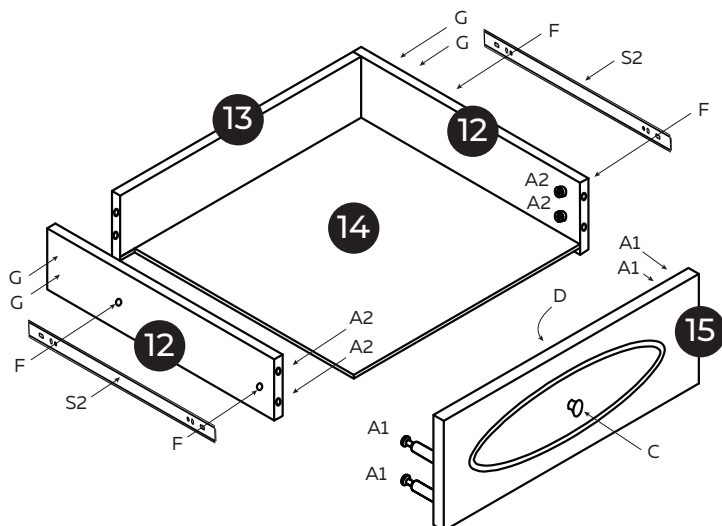
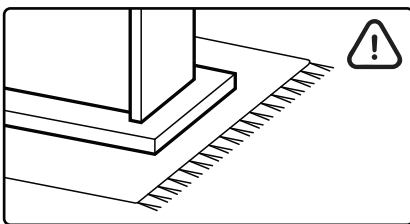
5





x4




$x < y$

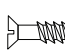



x2

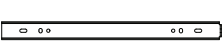
A   x8

C  x2

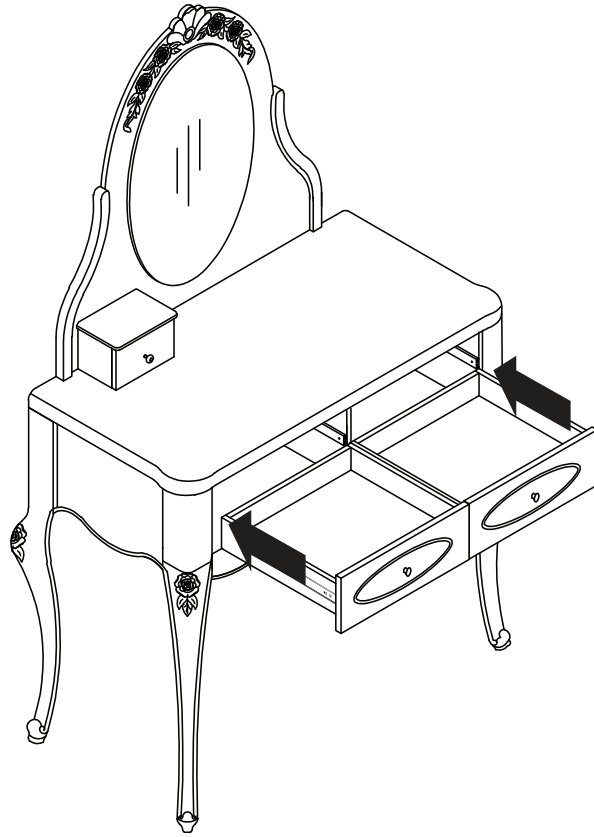
D  x2

F  x8

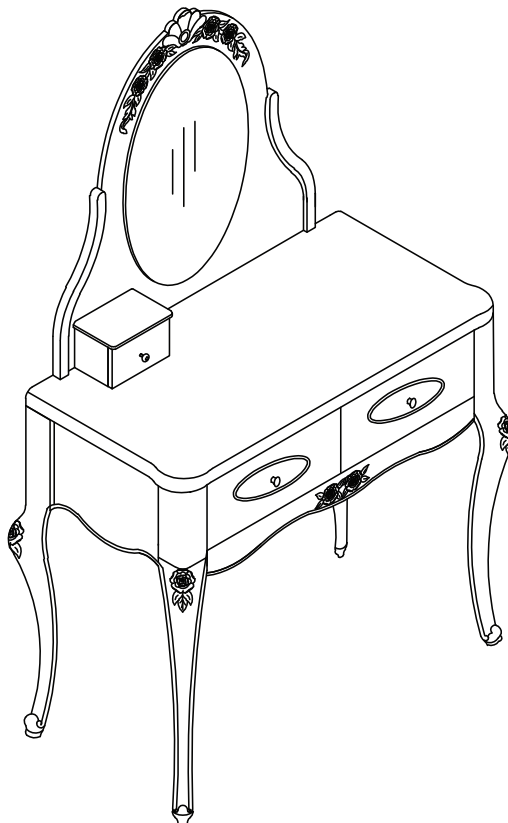
G  x8

S2  x4

6



7



8