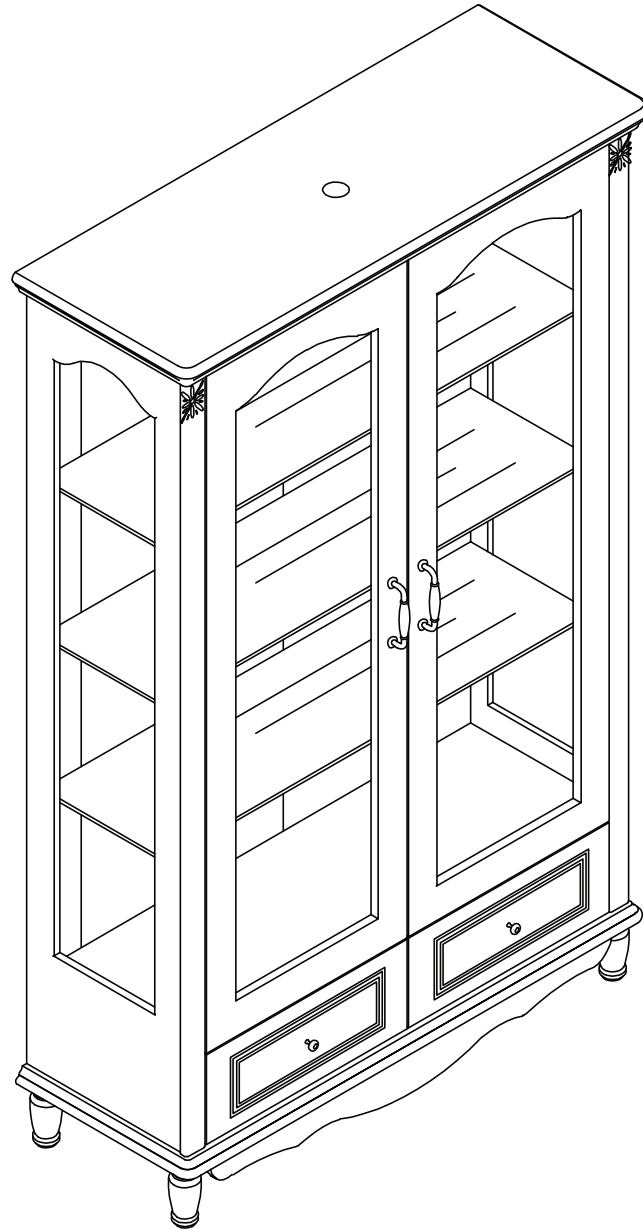
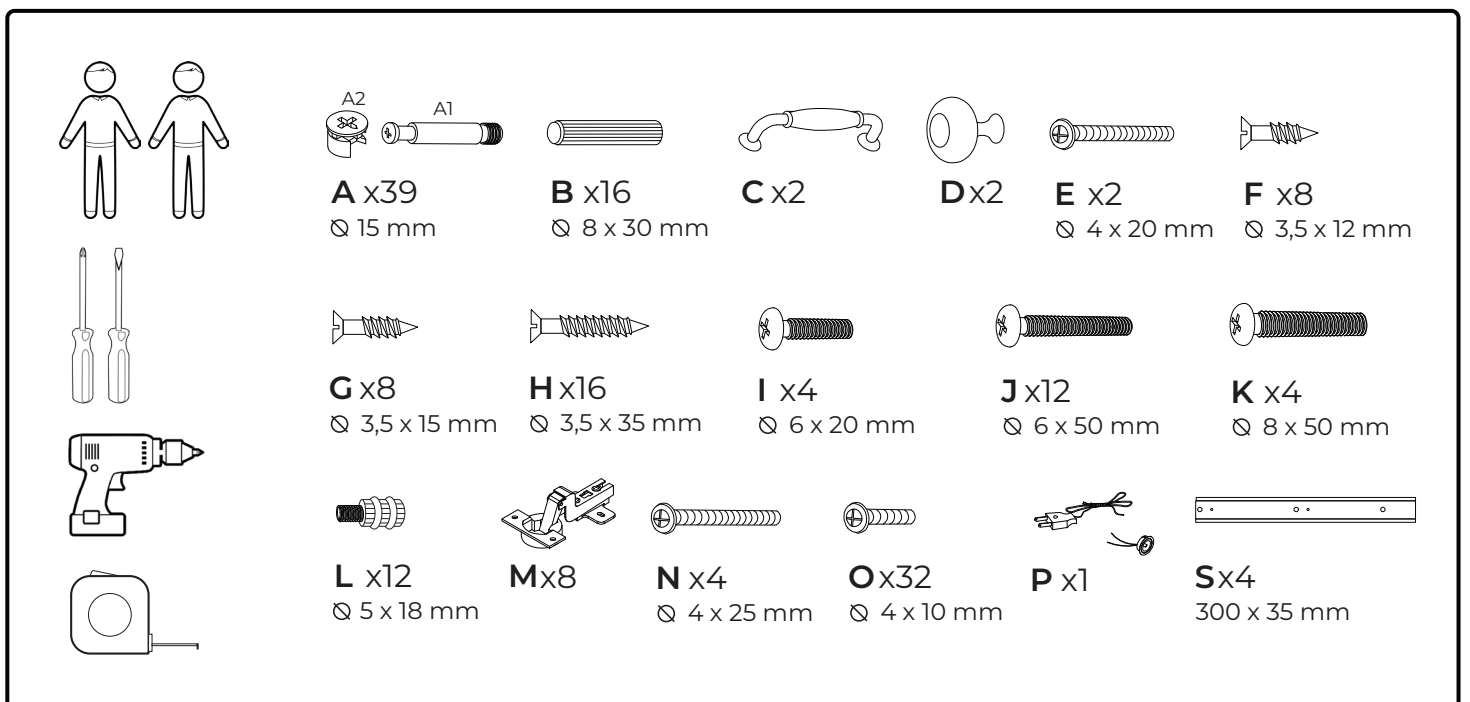
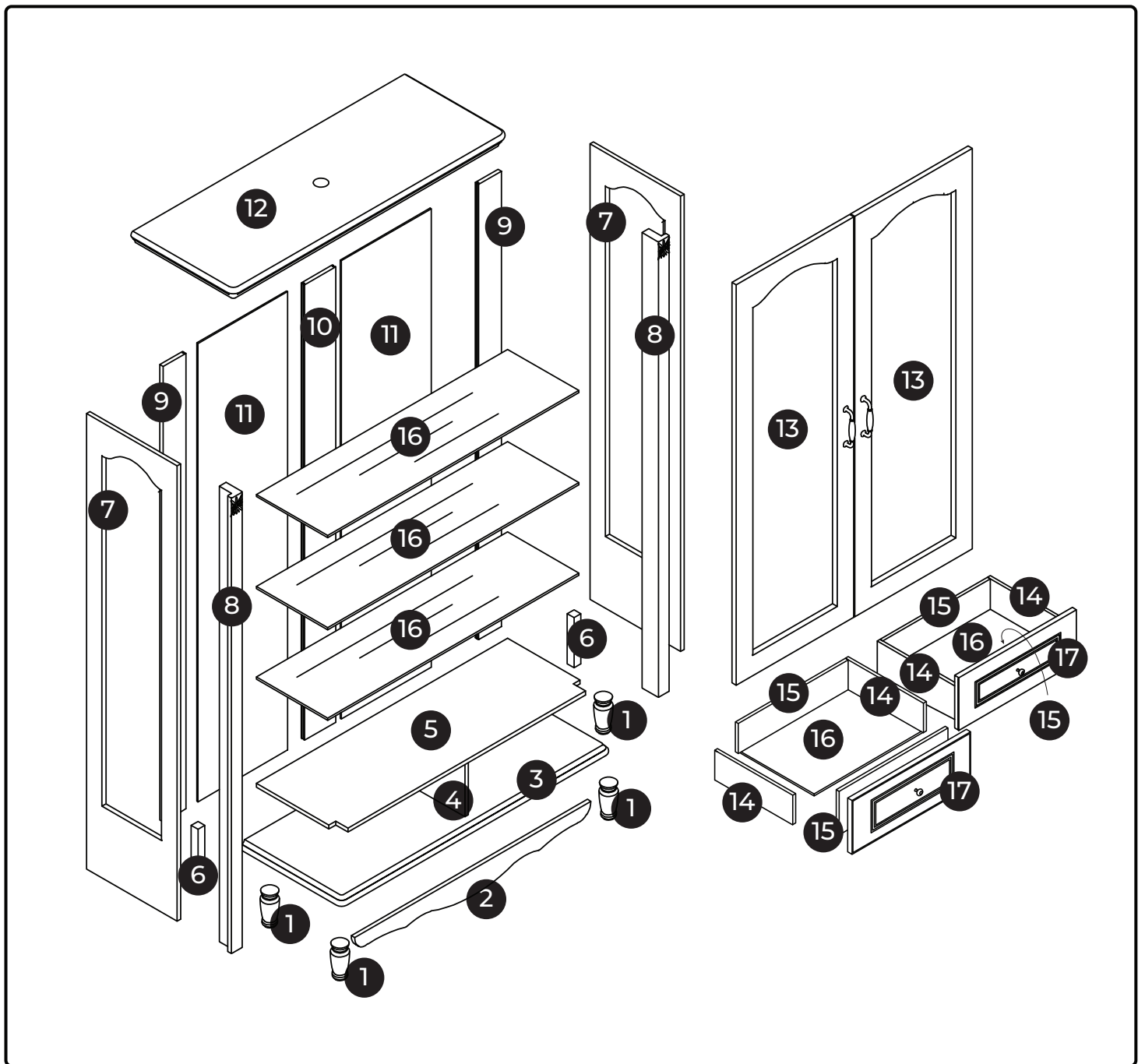


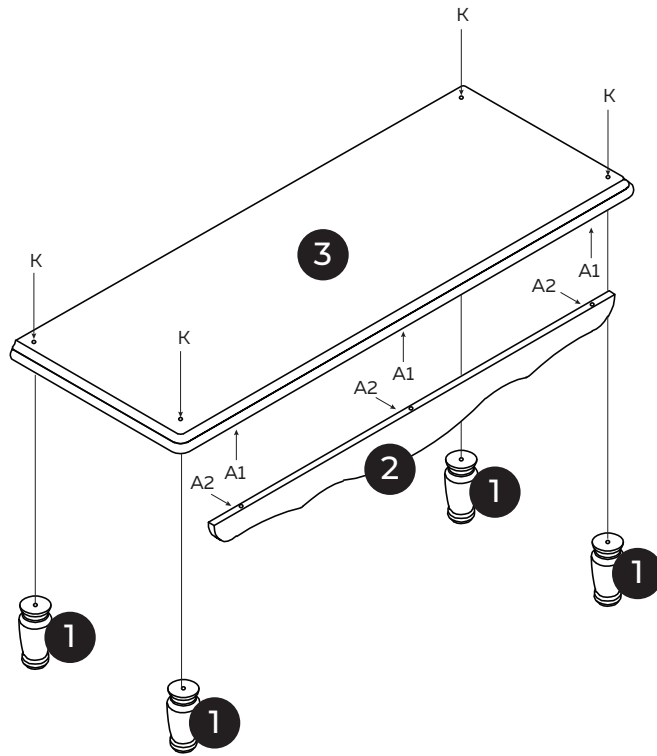
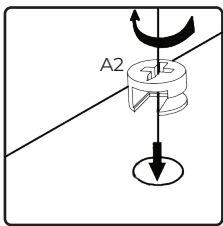
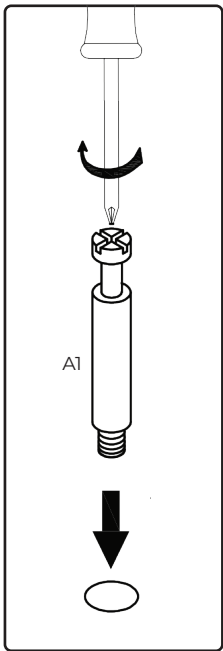
861


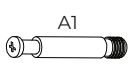
1000 x 480 x 2000 mm




BEMONDI

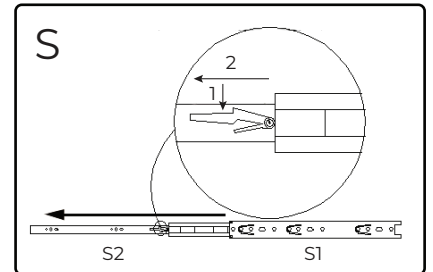
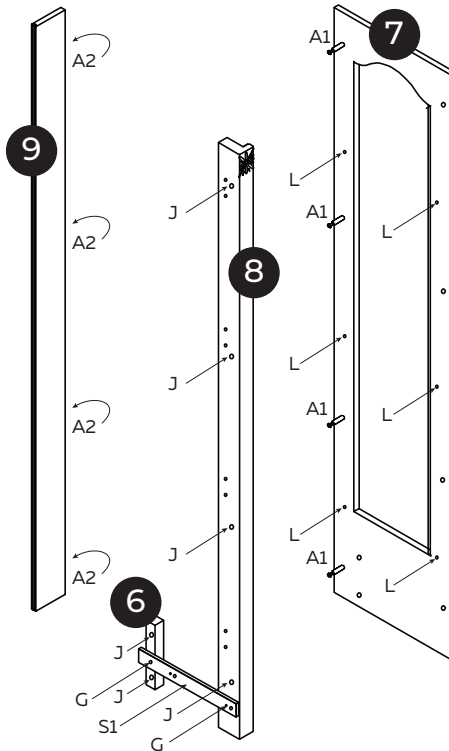
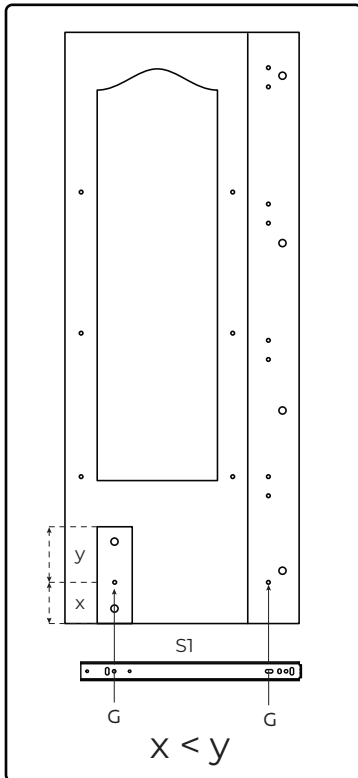





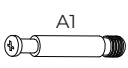
A   x3

K  x4

1




x2

A   x8

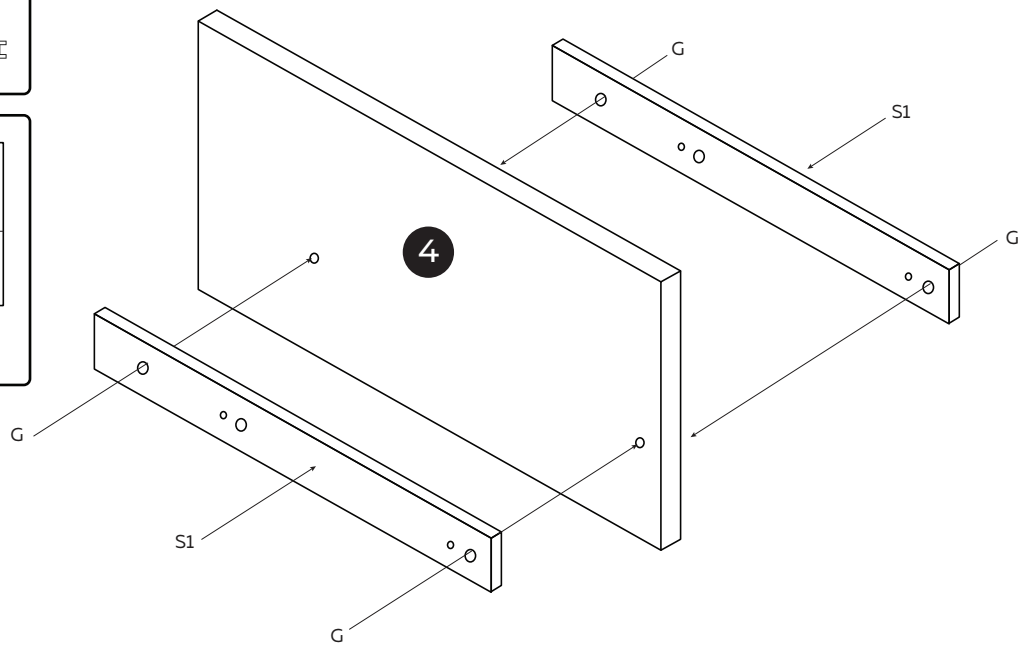
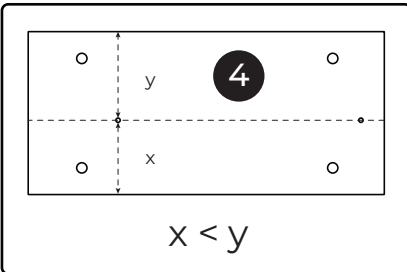
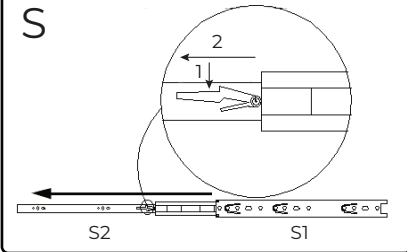
G  x4

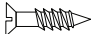
J  x12


L  x12

S1  x2

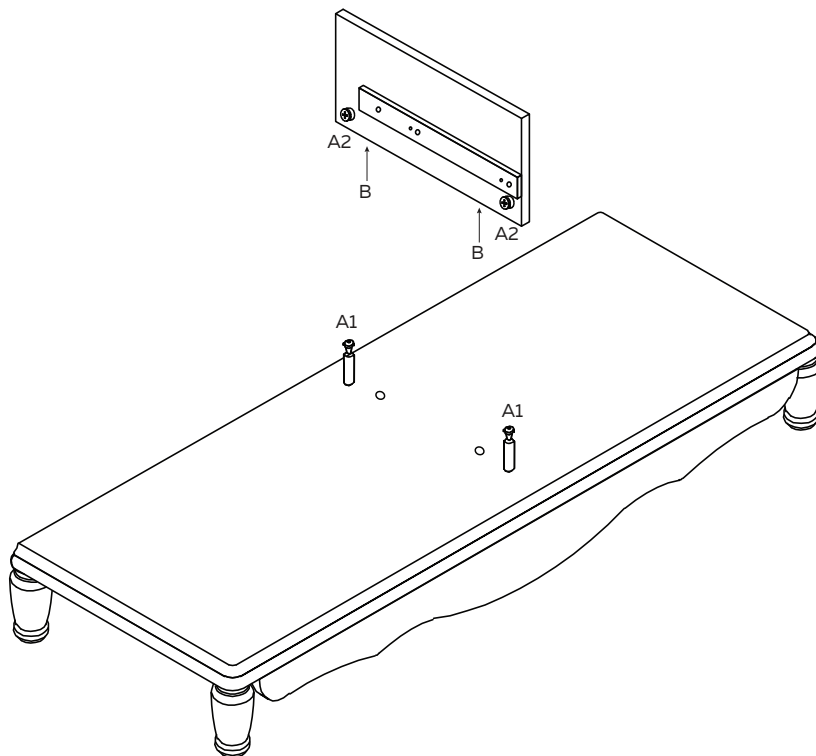
2


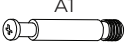


G  x4

S1  x2

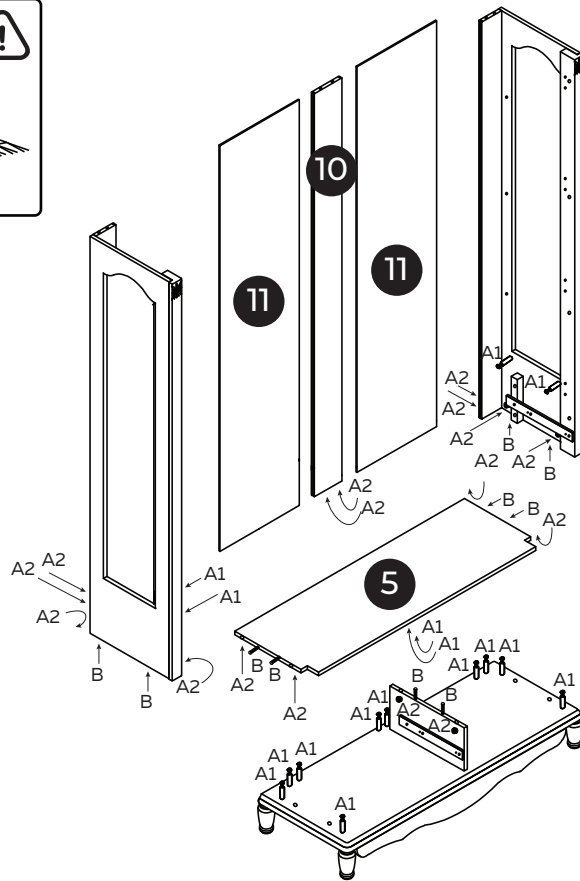
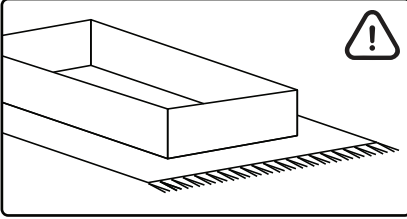
3


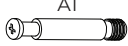


A   x2

B  x2

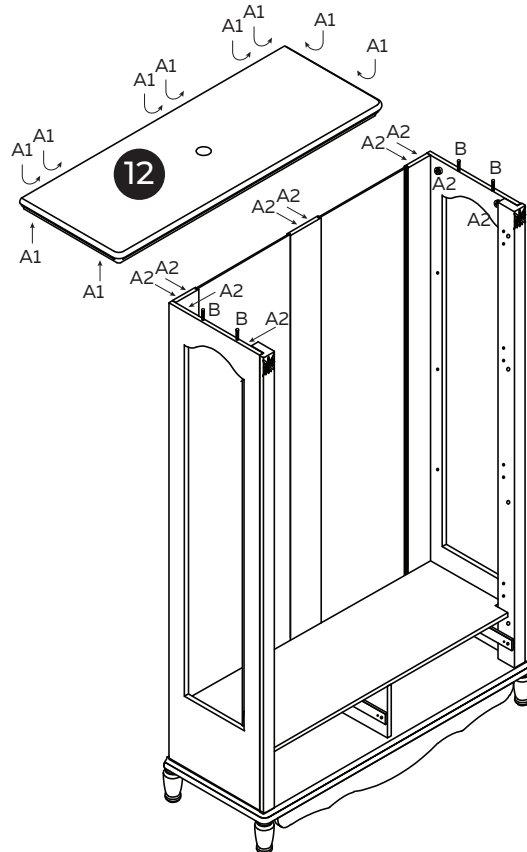
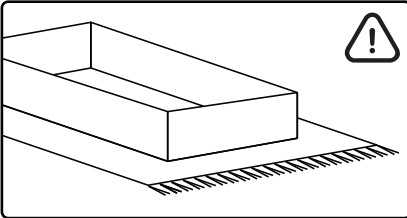
4


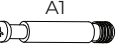


A   x16

B  x10

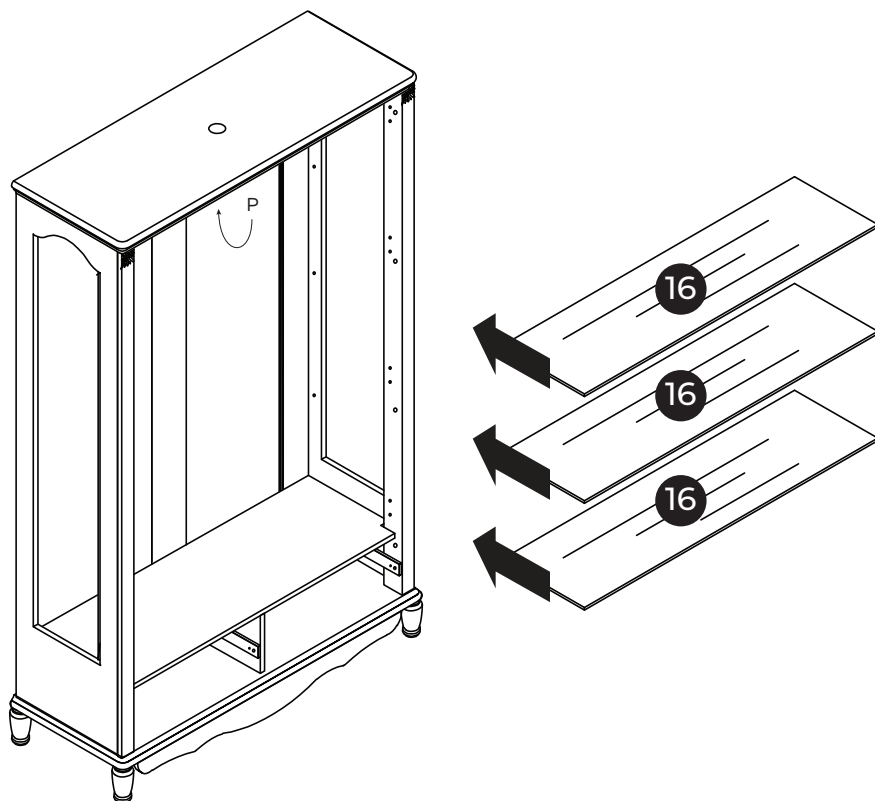
5



A   x10

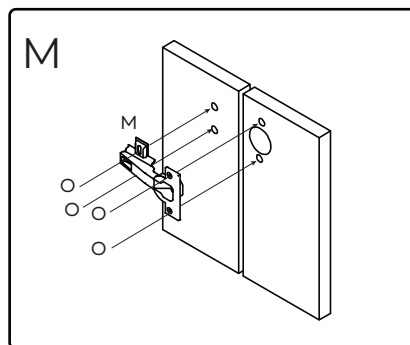
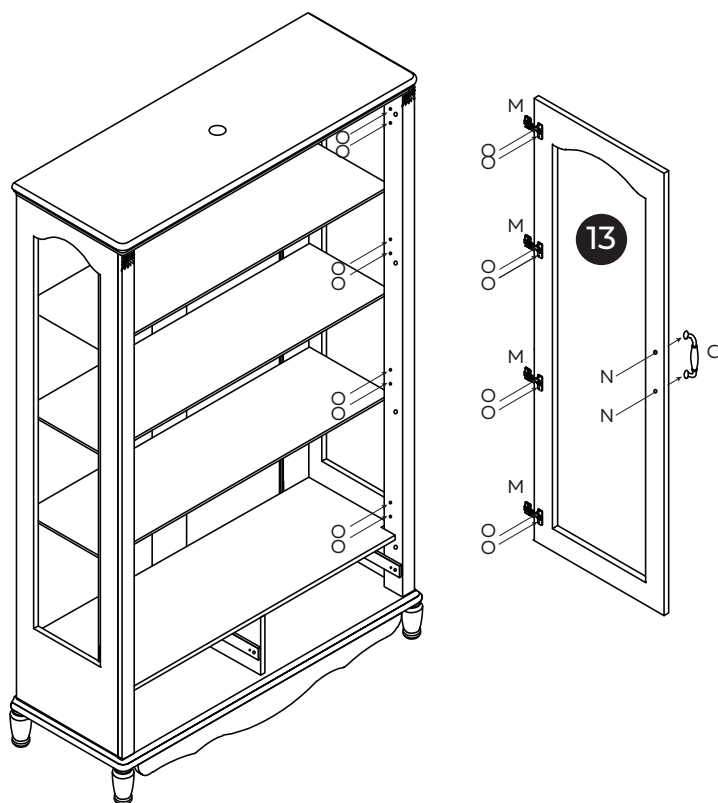
B  x4

6




P  x1

7



x2

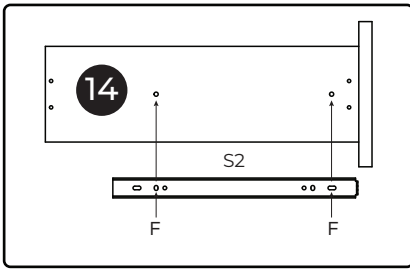
C  x2

M  x8

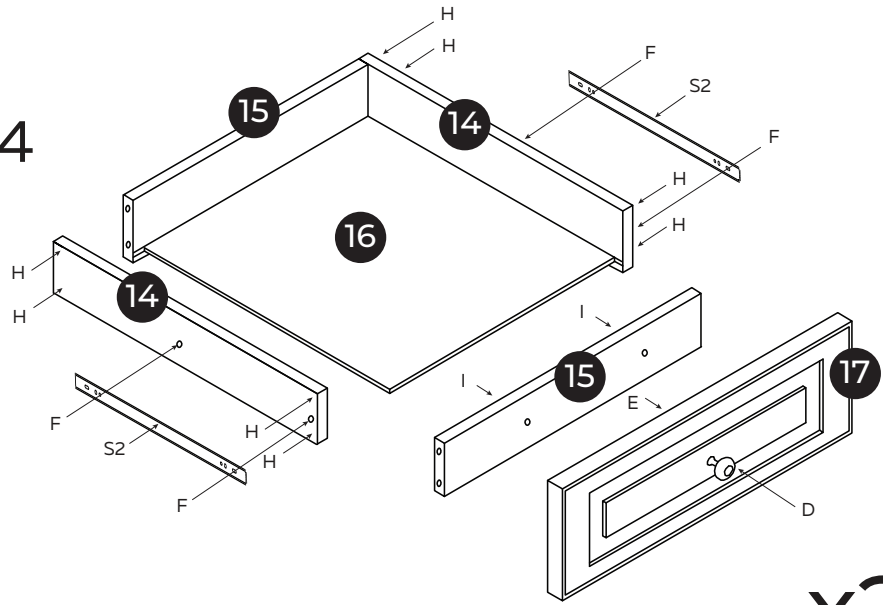
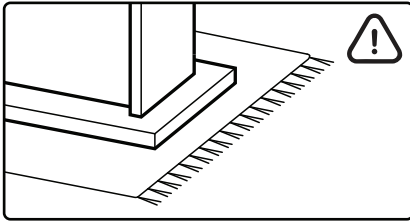
N  x4

O  x32


8

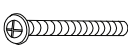


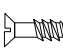
x4



x2

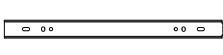
D  x2

E  x2

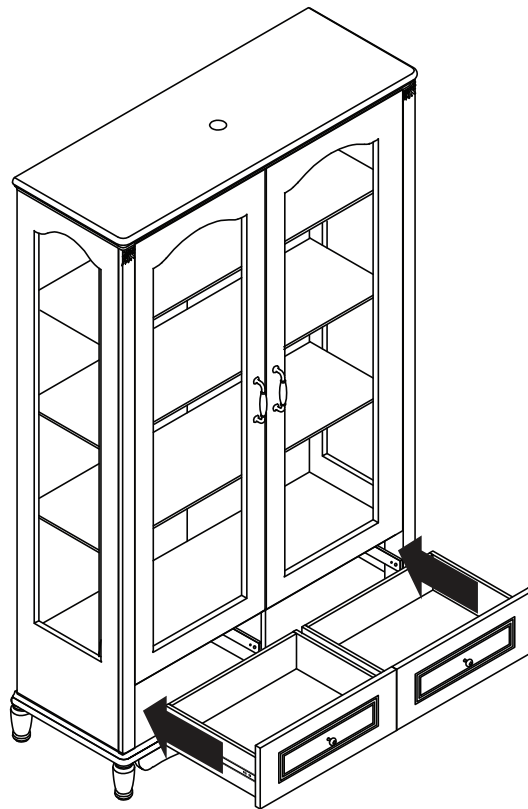
F  x8

H  x16

I  x4

S2  x4

9



10

