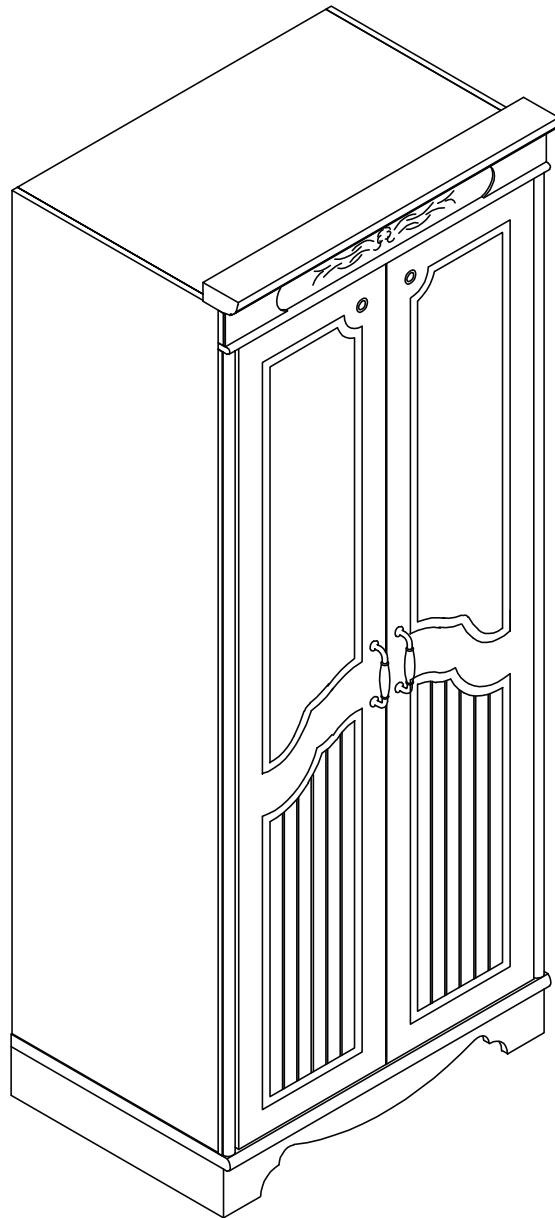
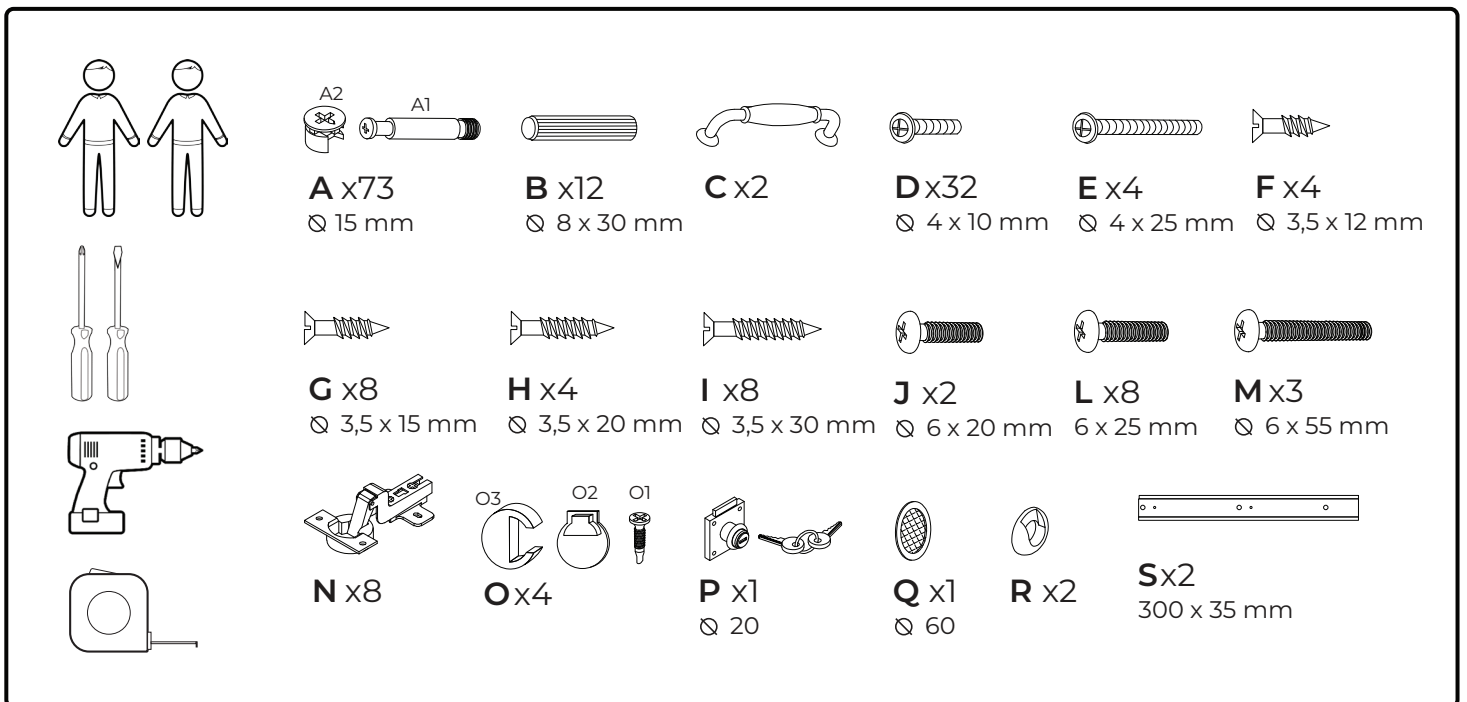
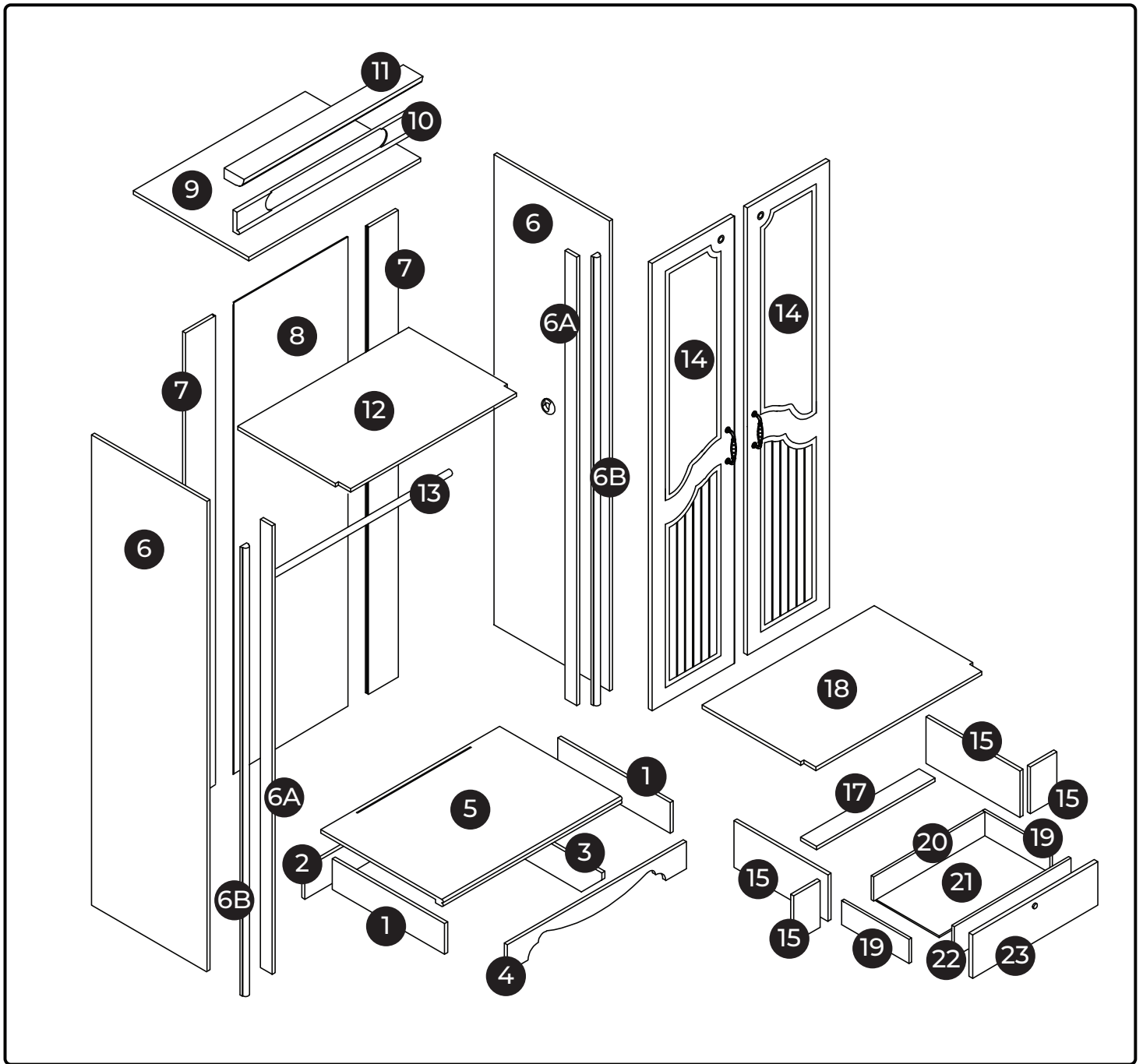


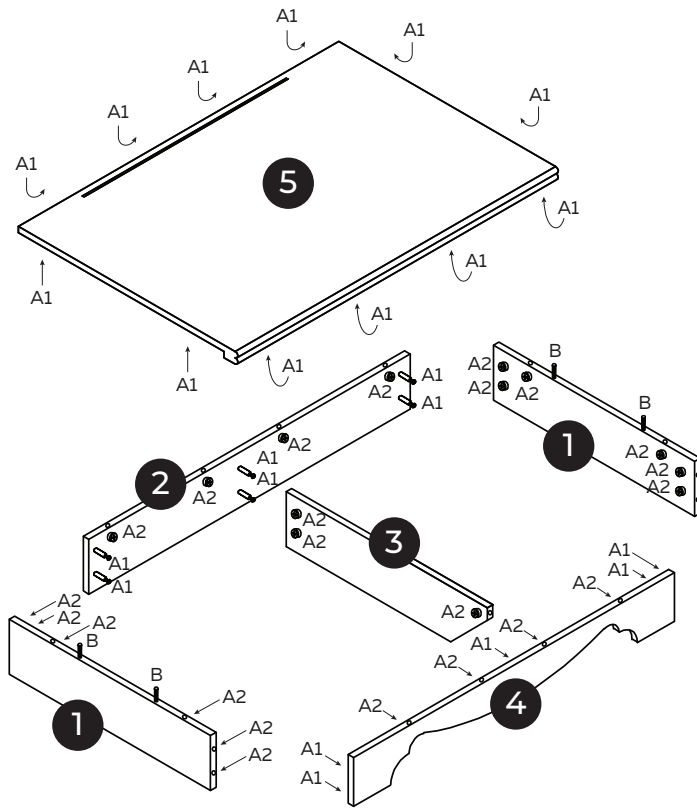
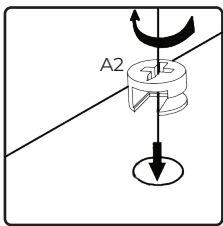
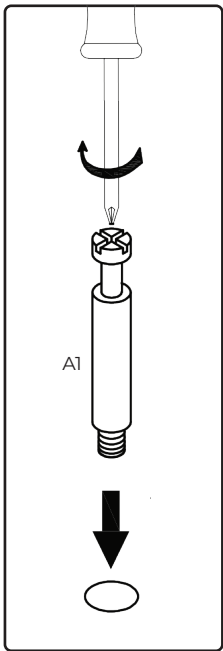
# 808


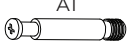
880 x 600 x 2200 mm



**BEMONDI**

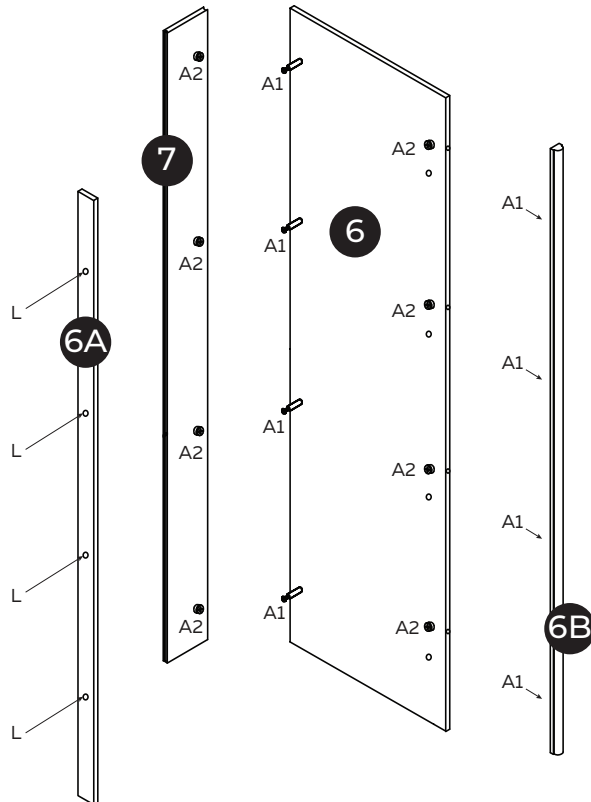
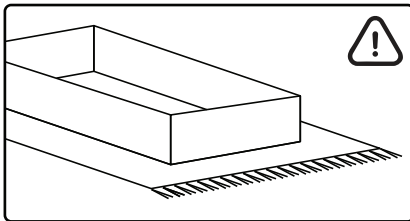





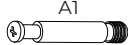
A   x23

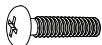
B  x4

1

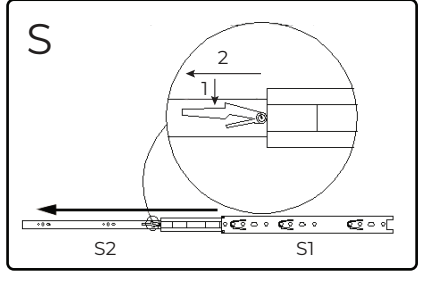
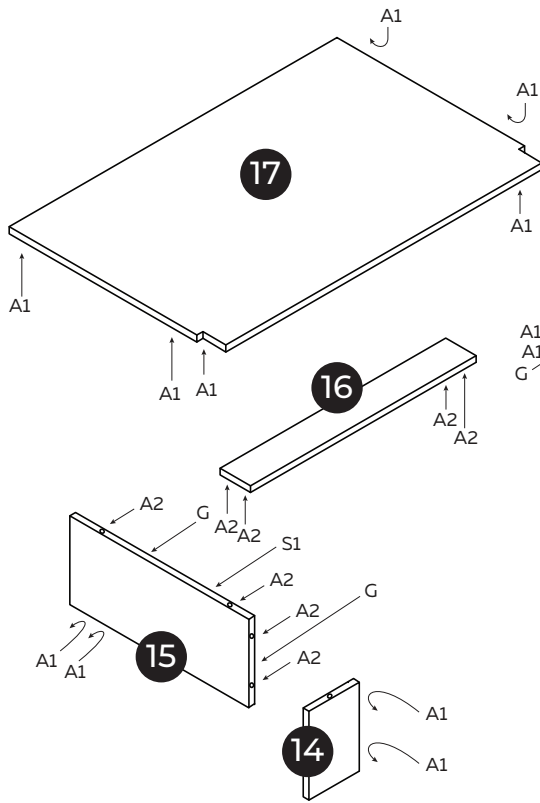


x2


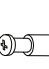
A   x16

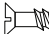
L  x8

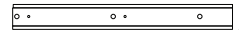
2



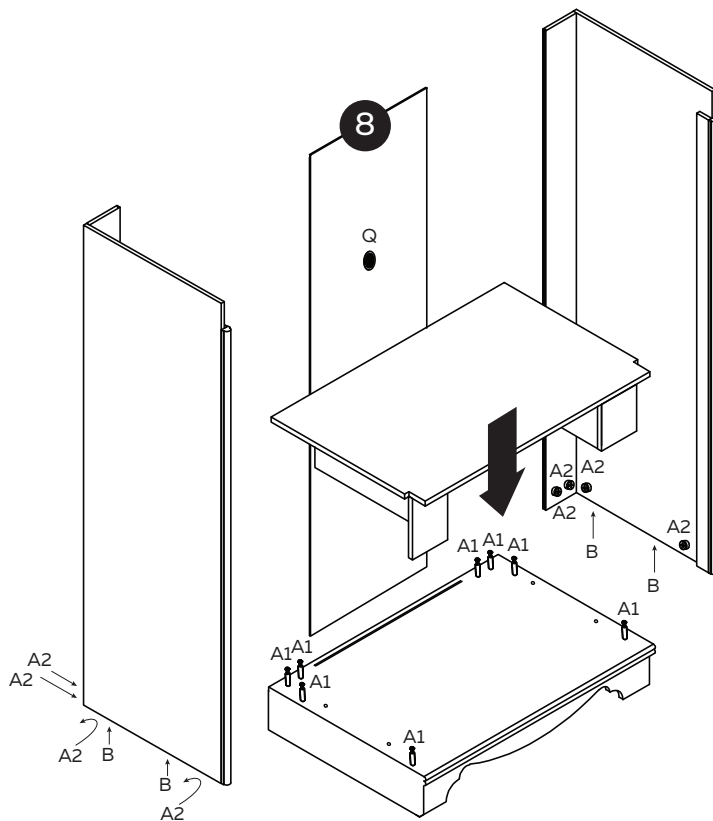
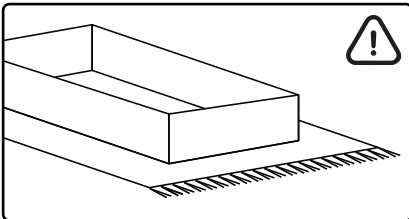
x2


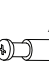
A   x14

G  x4

S1  x2

3

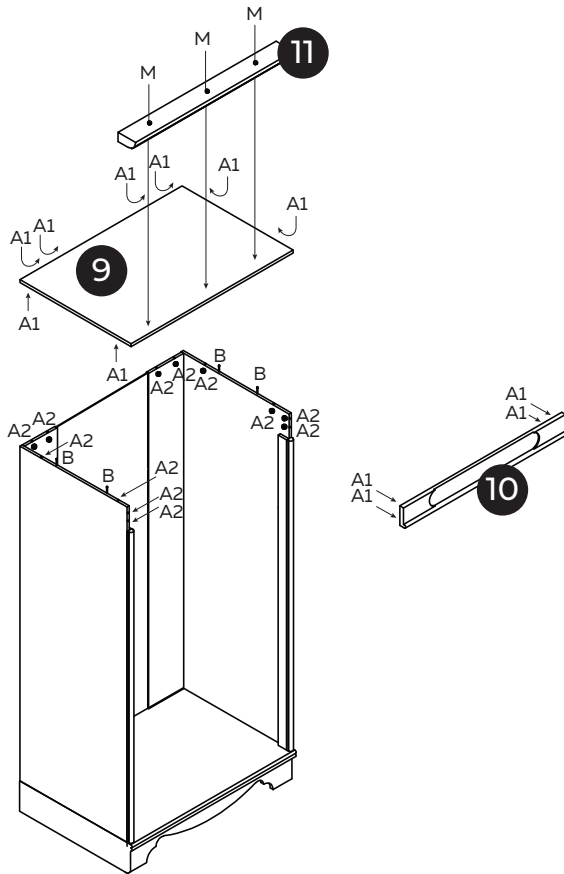
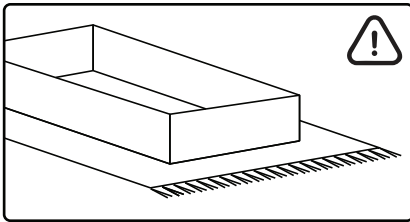


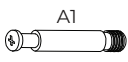
A   x8

B  x4


Q  x1

4

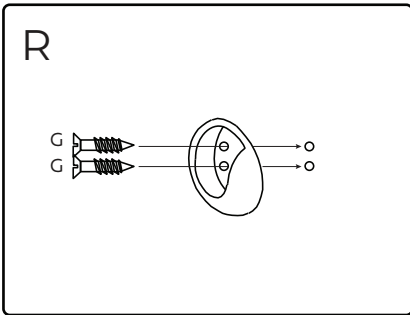
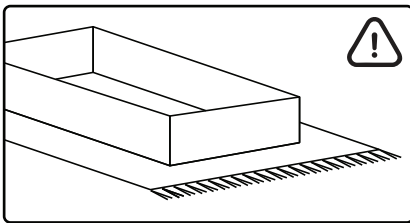


A  x12

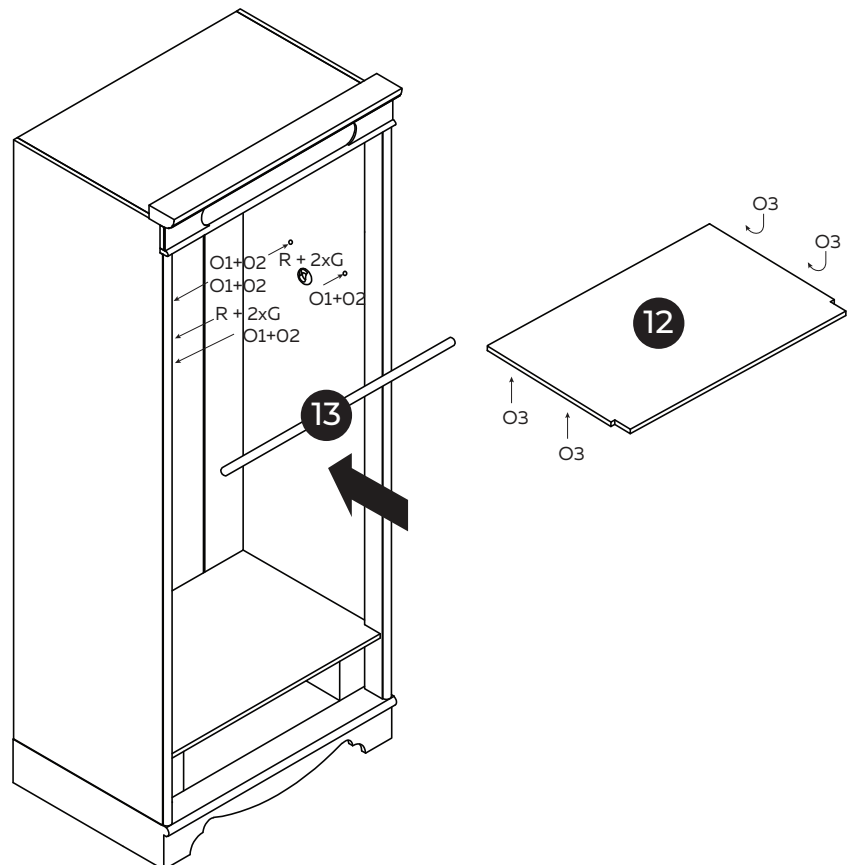
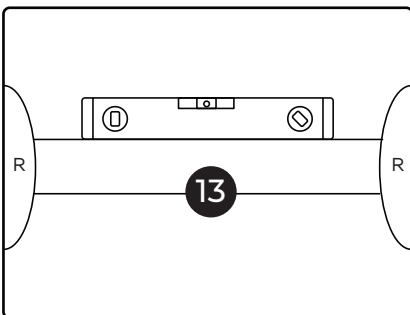
B  x4


M  x3

5



x4

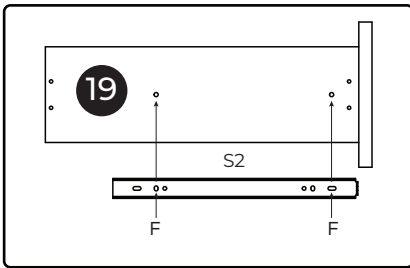


O3  O2  O1  x4

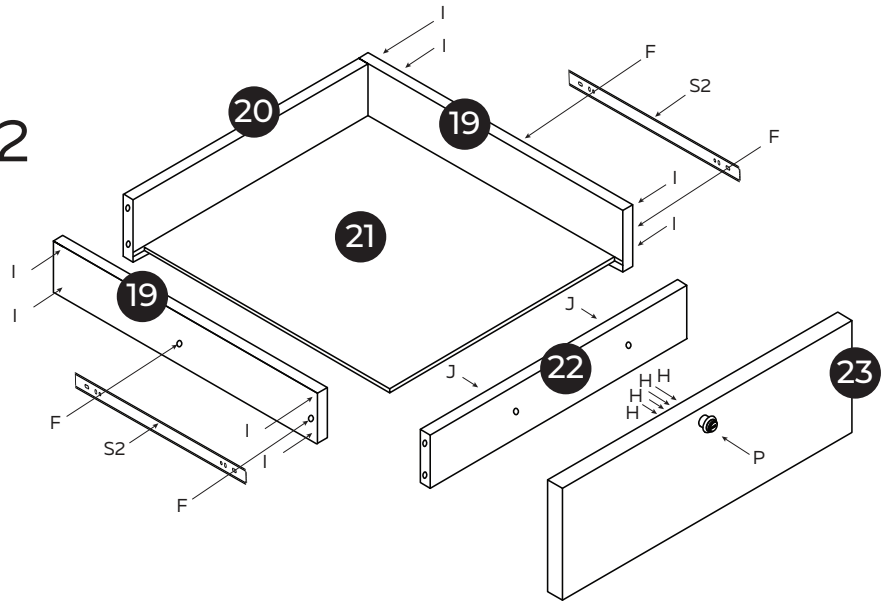
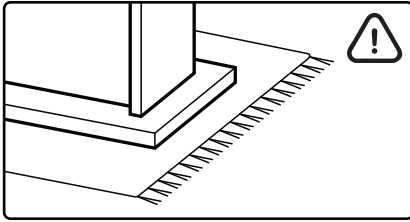
G  x4

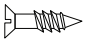
R  x2

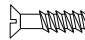
6

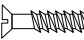


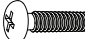
x2




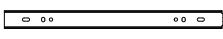
F  x4

H  x4

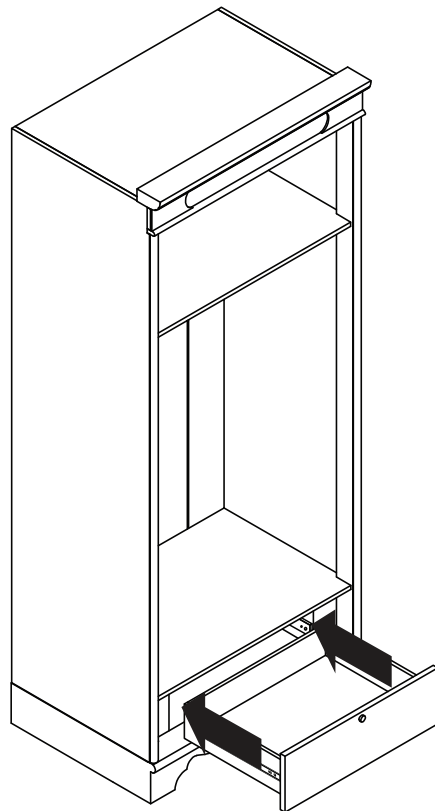
I  x8

J  x2

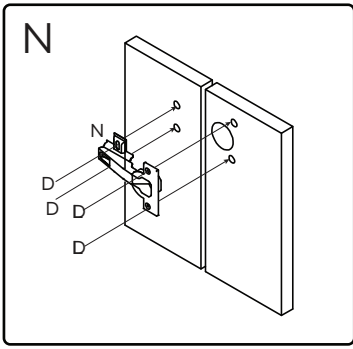
P  x1

S2  x2

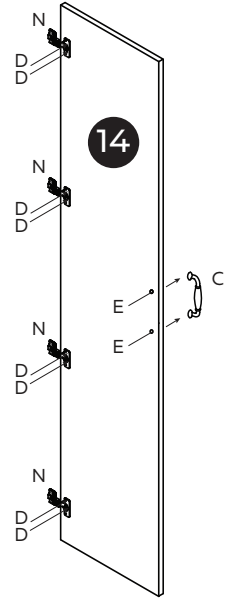
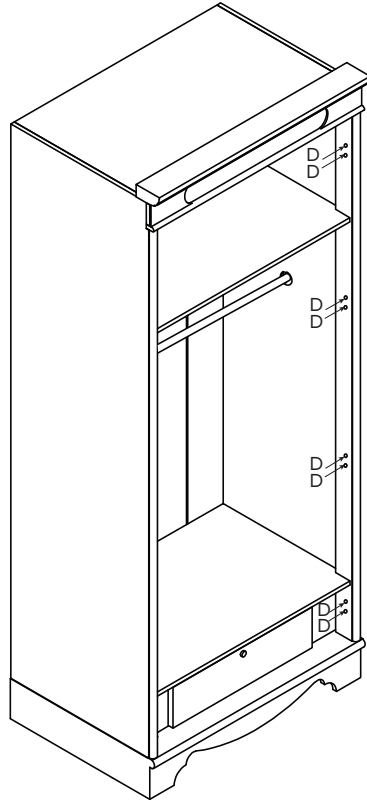
7



8




x8

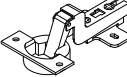


x2

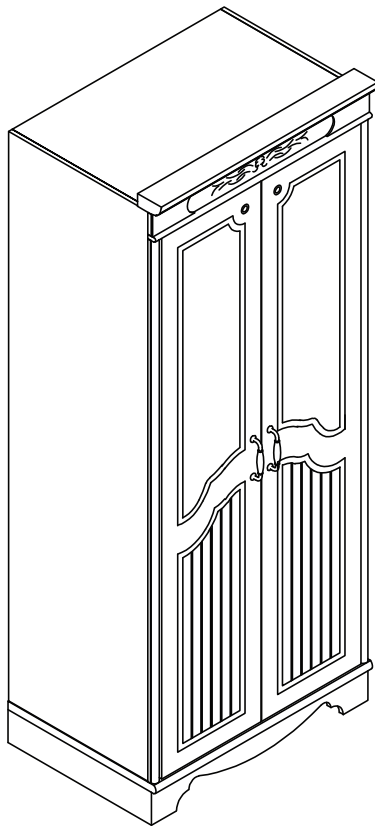
C  x2

D  x32

E  x4

N  x8

9



10