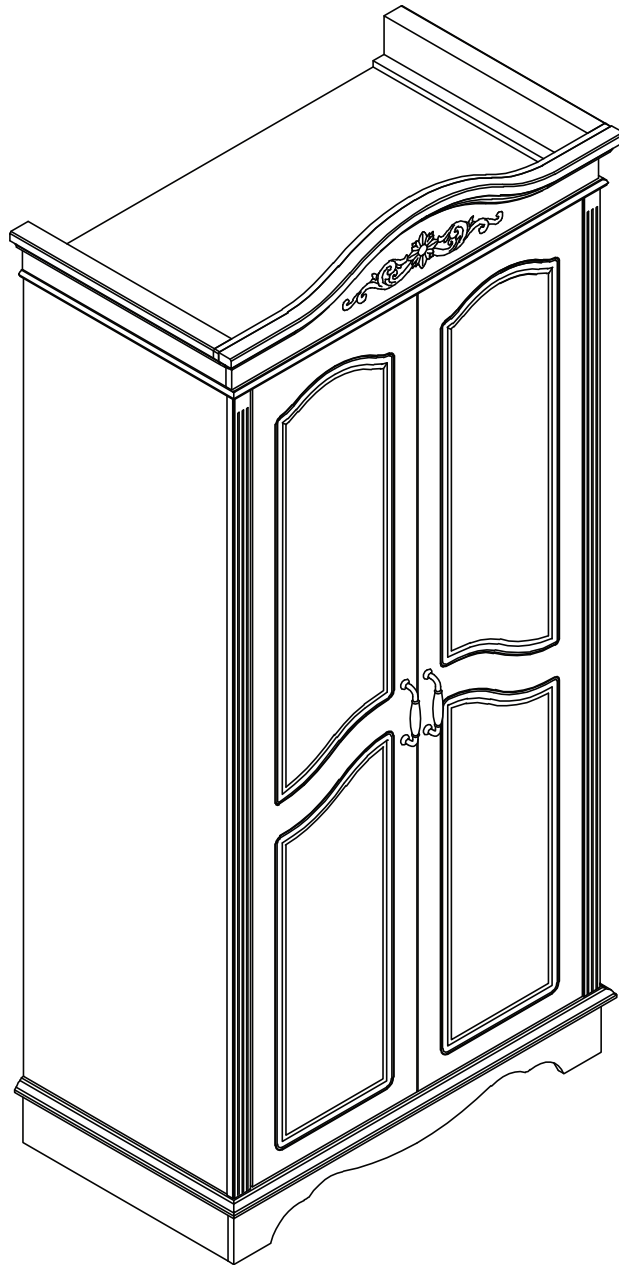
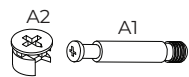
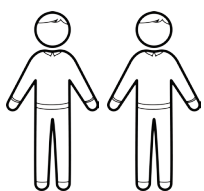
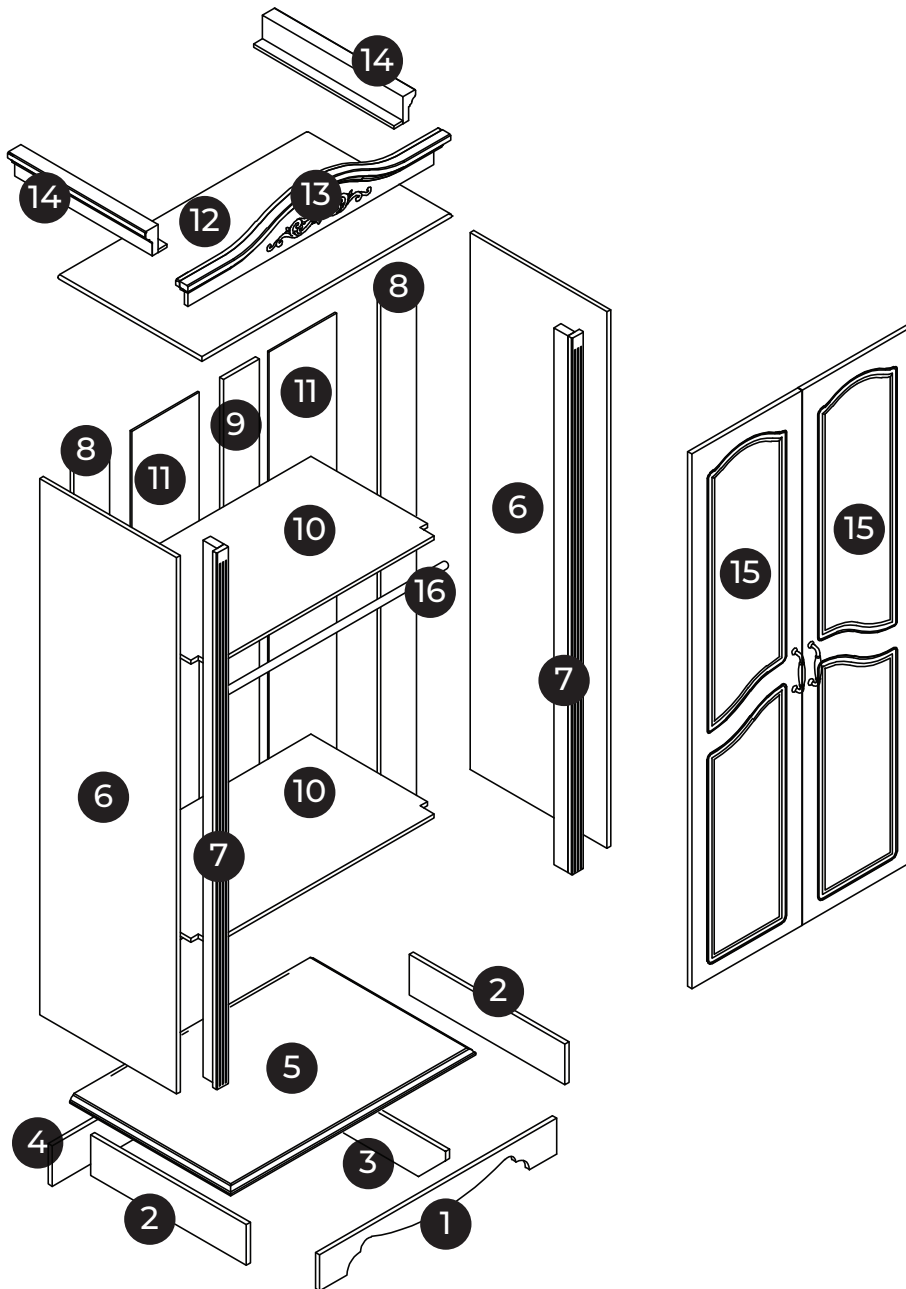


806

1070 x 600 x 2270 mm



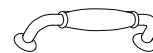
BEMONDI



A x55
 Ø 15 mm



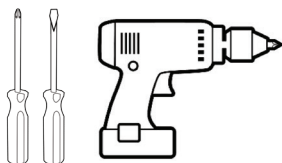
B x12
 Ø 8 x 30 mm



C x2



D x32
 Ø 4 x 10 mm



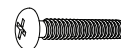
E x4
 Ø 4 x 25 mm



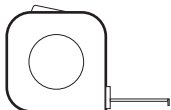
F x2
 17 x 17 x 27 mm



G x12
 Ø 3,5 x 15 mm



H x8
 Ø 6 x 35 mm



N x8



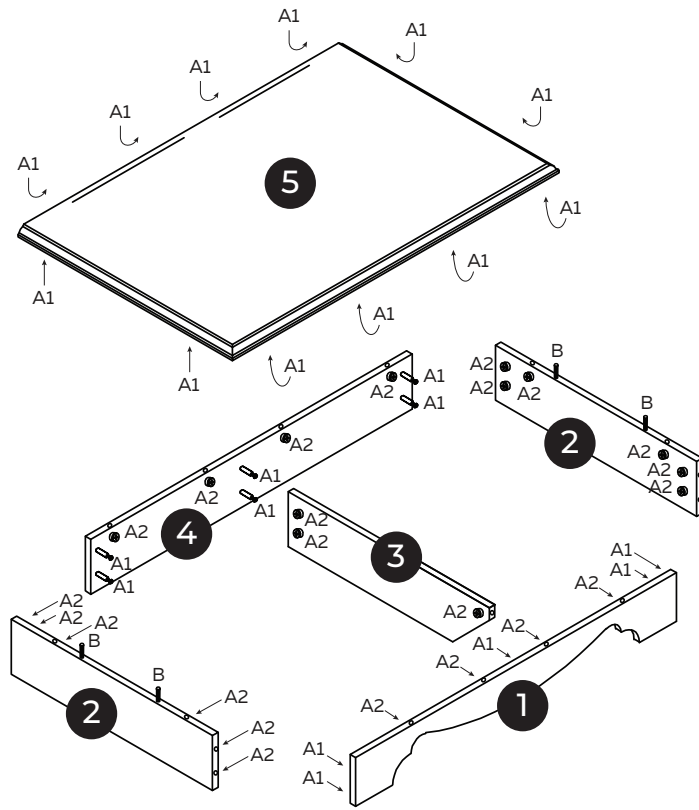
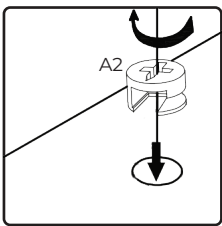
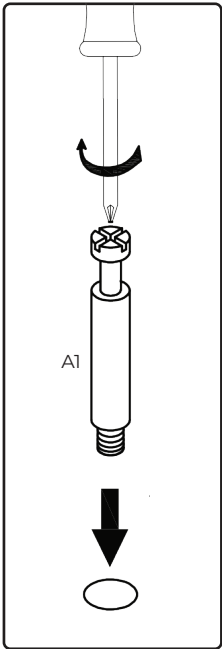
O x8


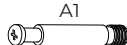


Q x2
 Ø 60



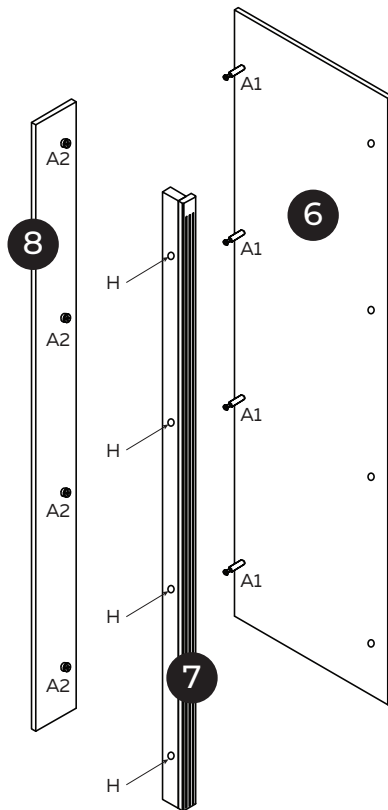
R x2




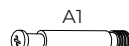
A   x23

B  x4

1

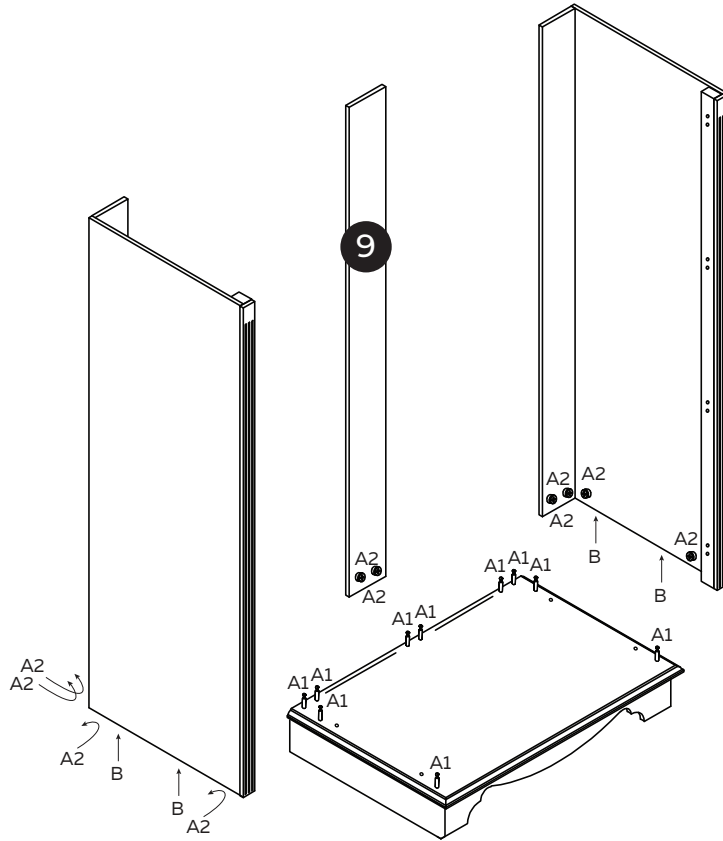
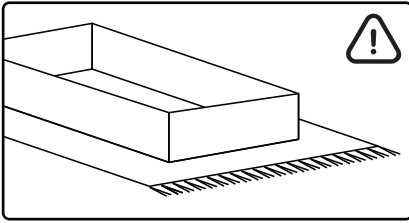




x2

A   x8

H  x8

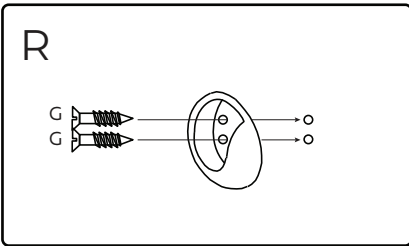
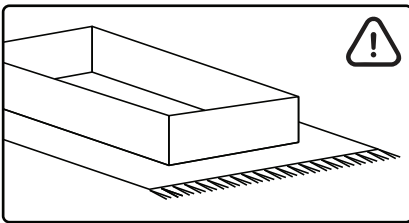
2



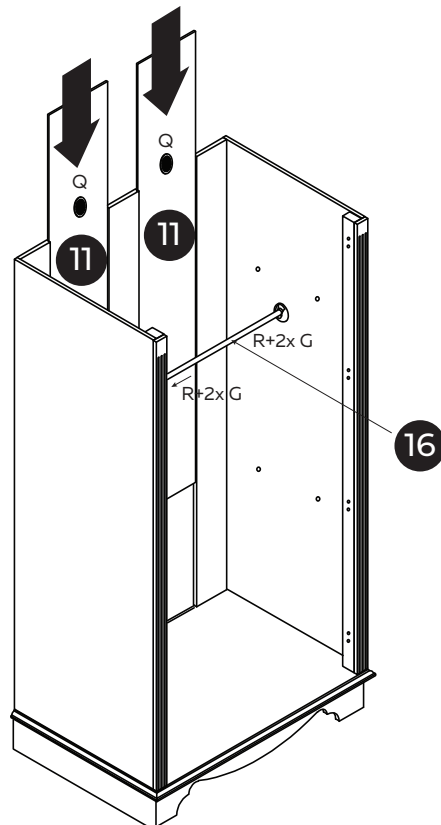
A   x10

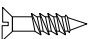
B  x4

3



x4

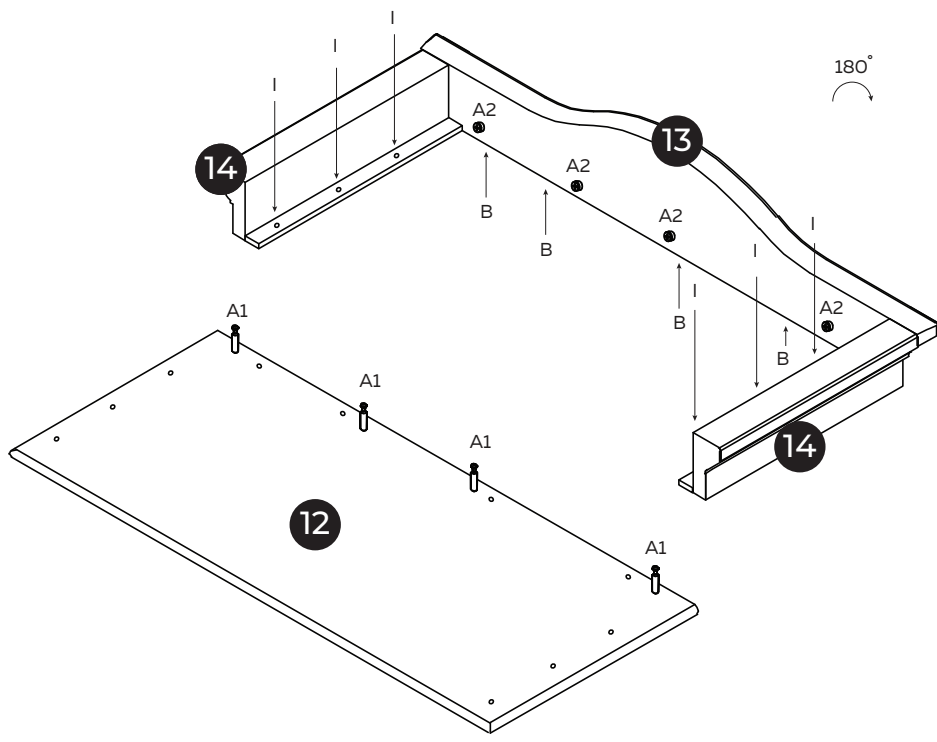



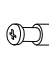
G  x4

Q  x2


R  x2

4

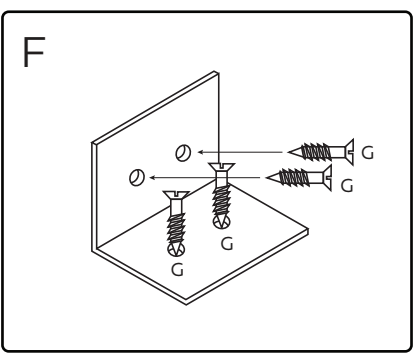
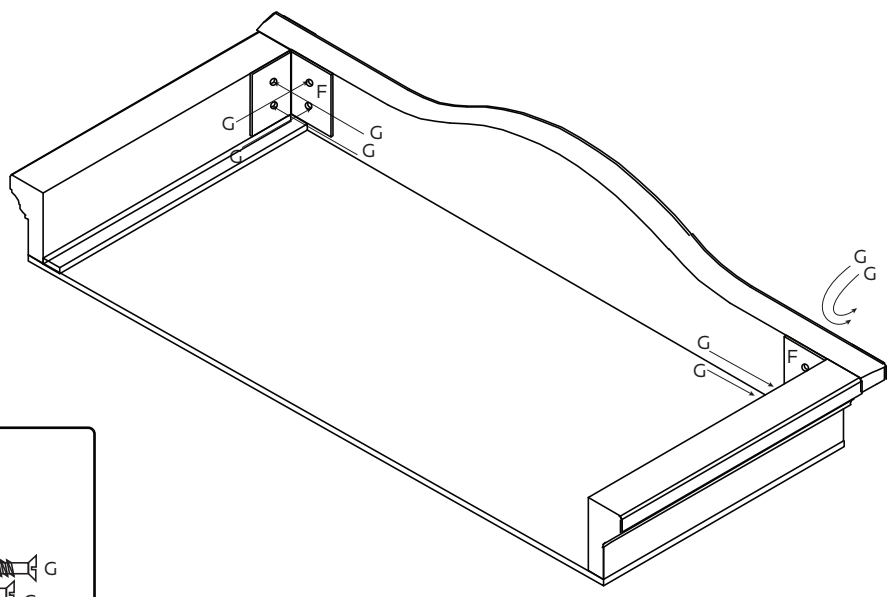


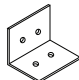
A   x4

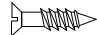
B  x4

I  x6

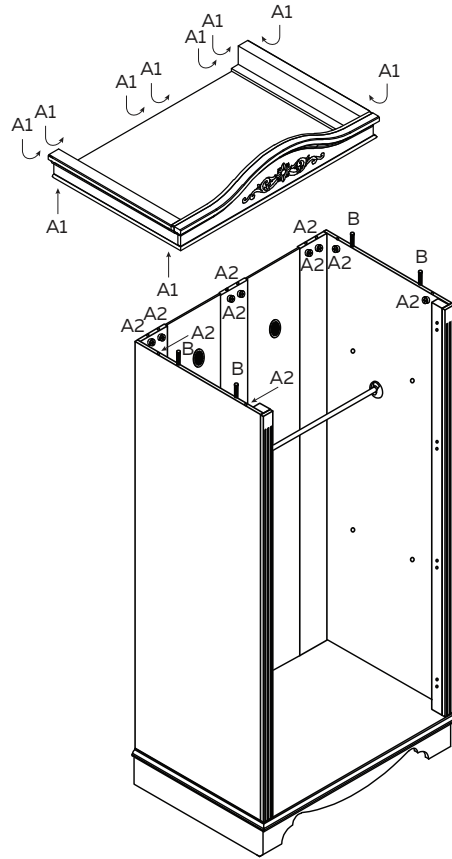
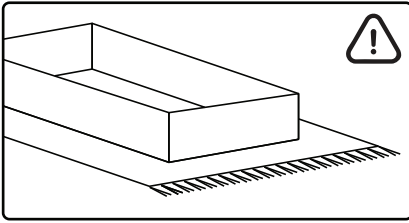
5


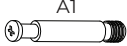


F  x2

G  x8

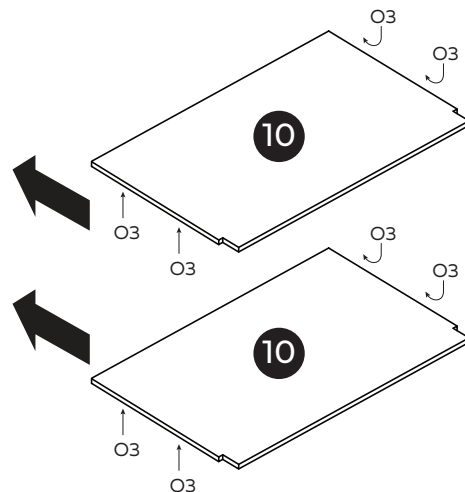
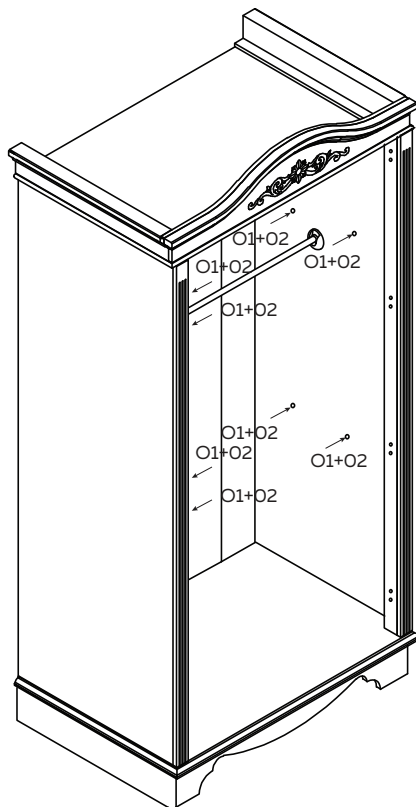
6



A   x10

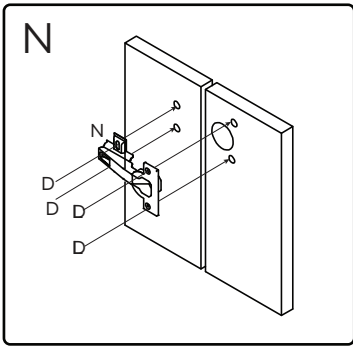
B  x4

7

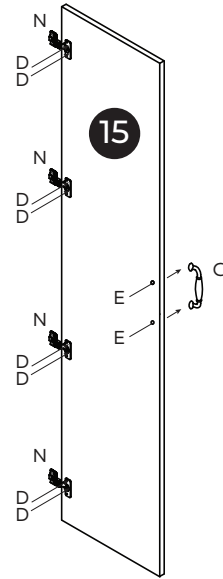
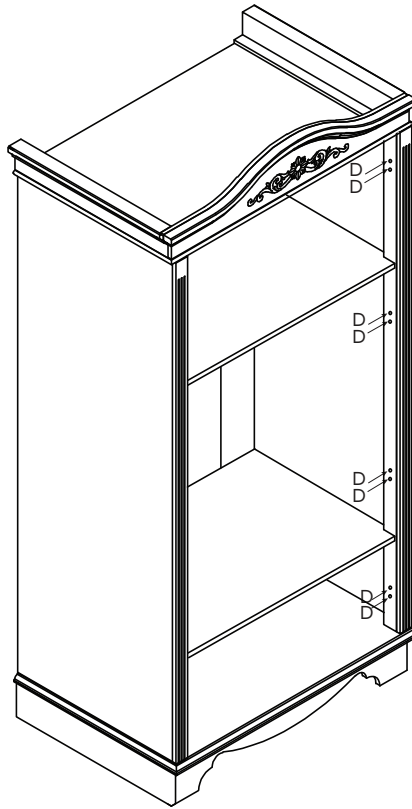


O3    x8

8




x8



x2

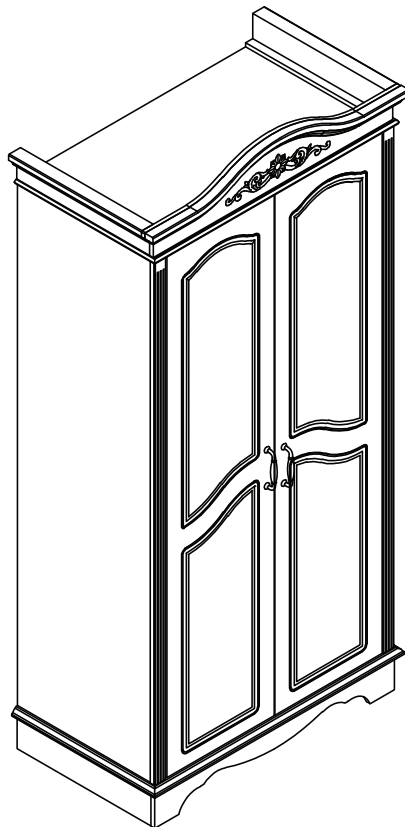
C  x2

D  x32

E  x4

N  x8

9



10